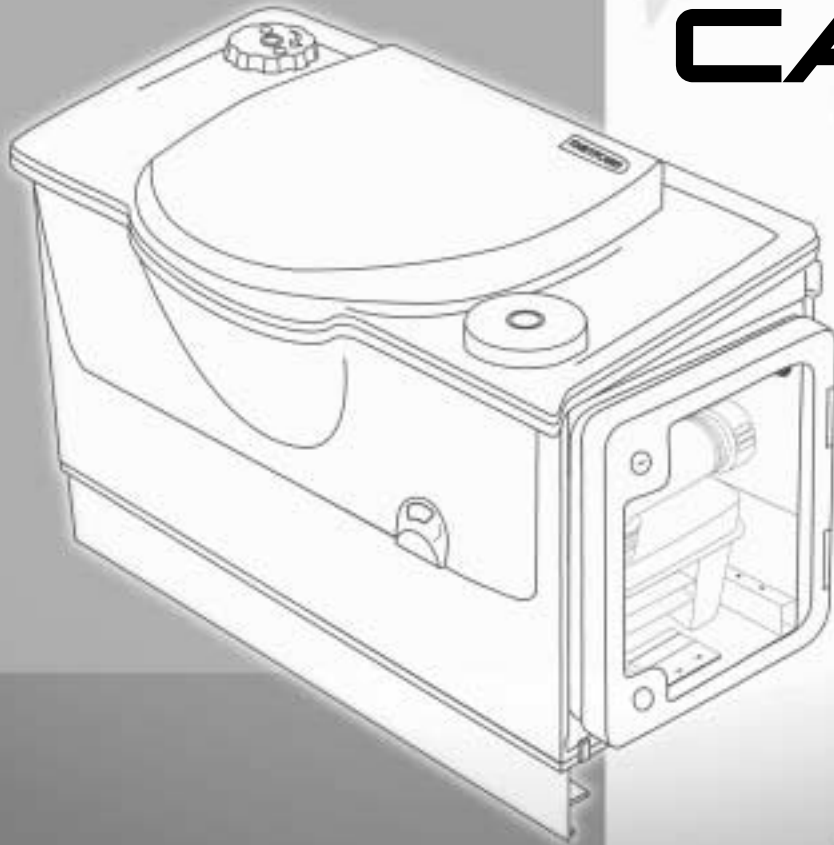


# THETFORD

## CASSETTE

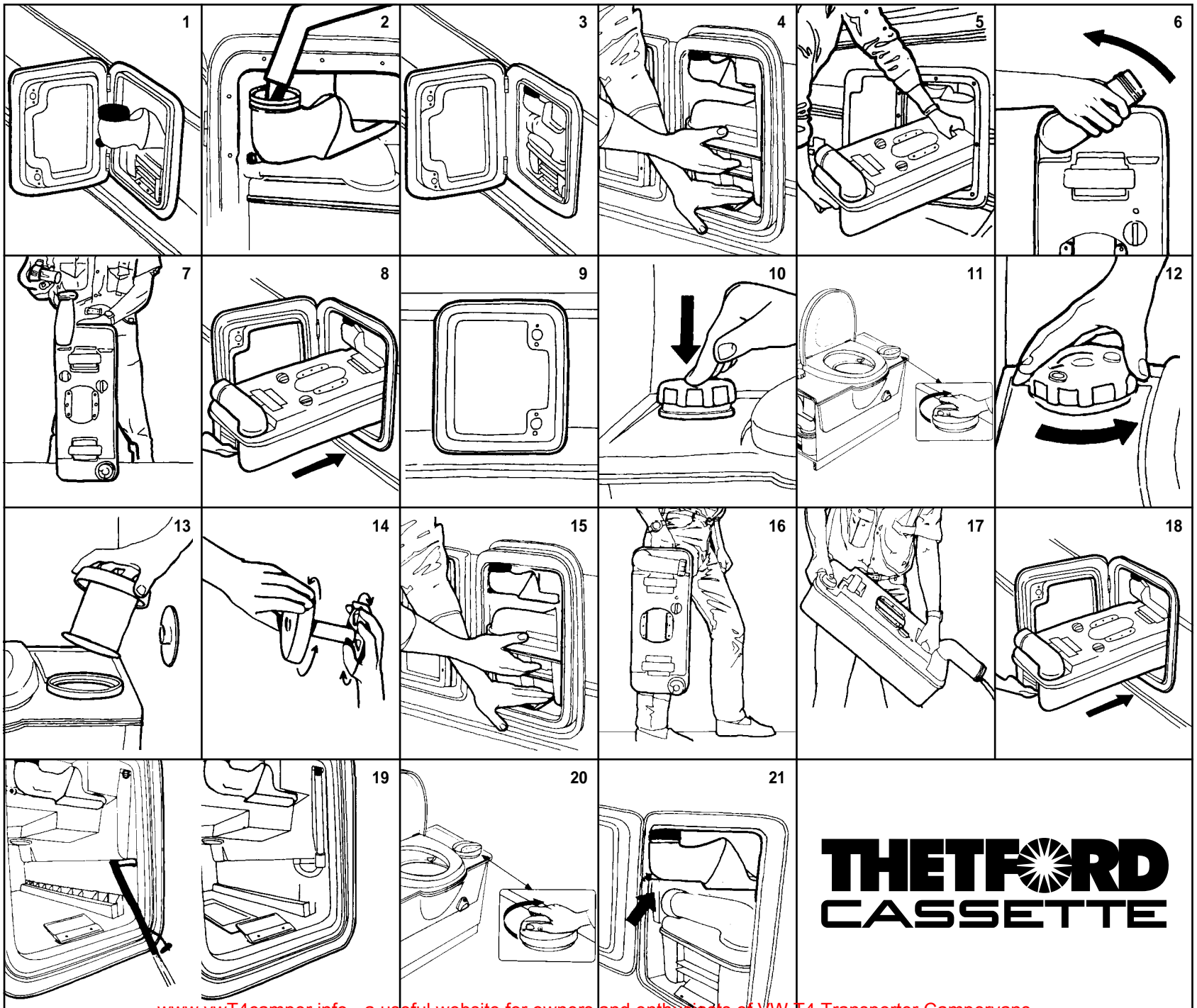


*C2 / C3 / C4*

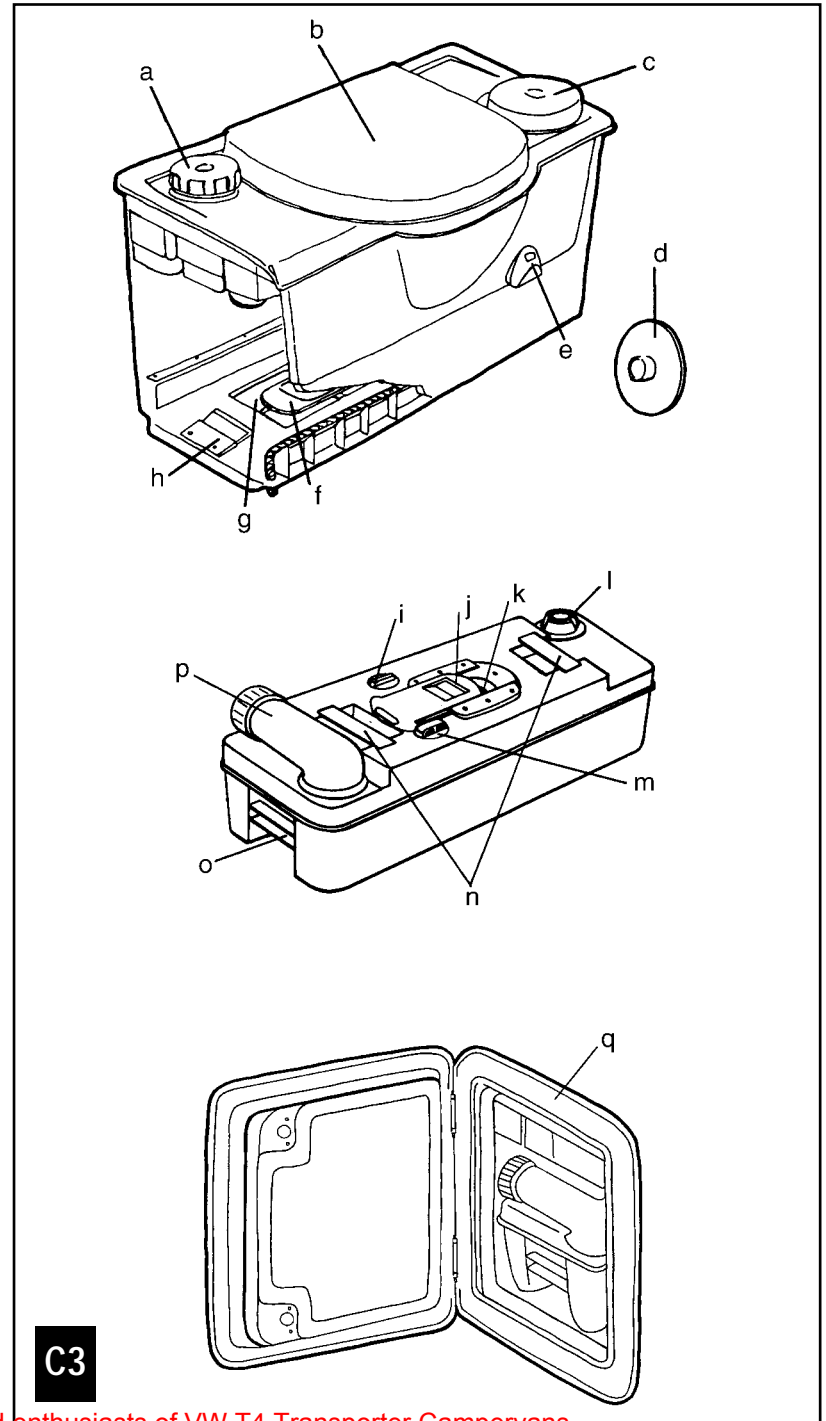
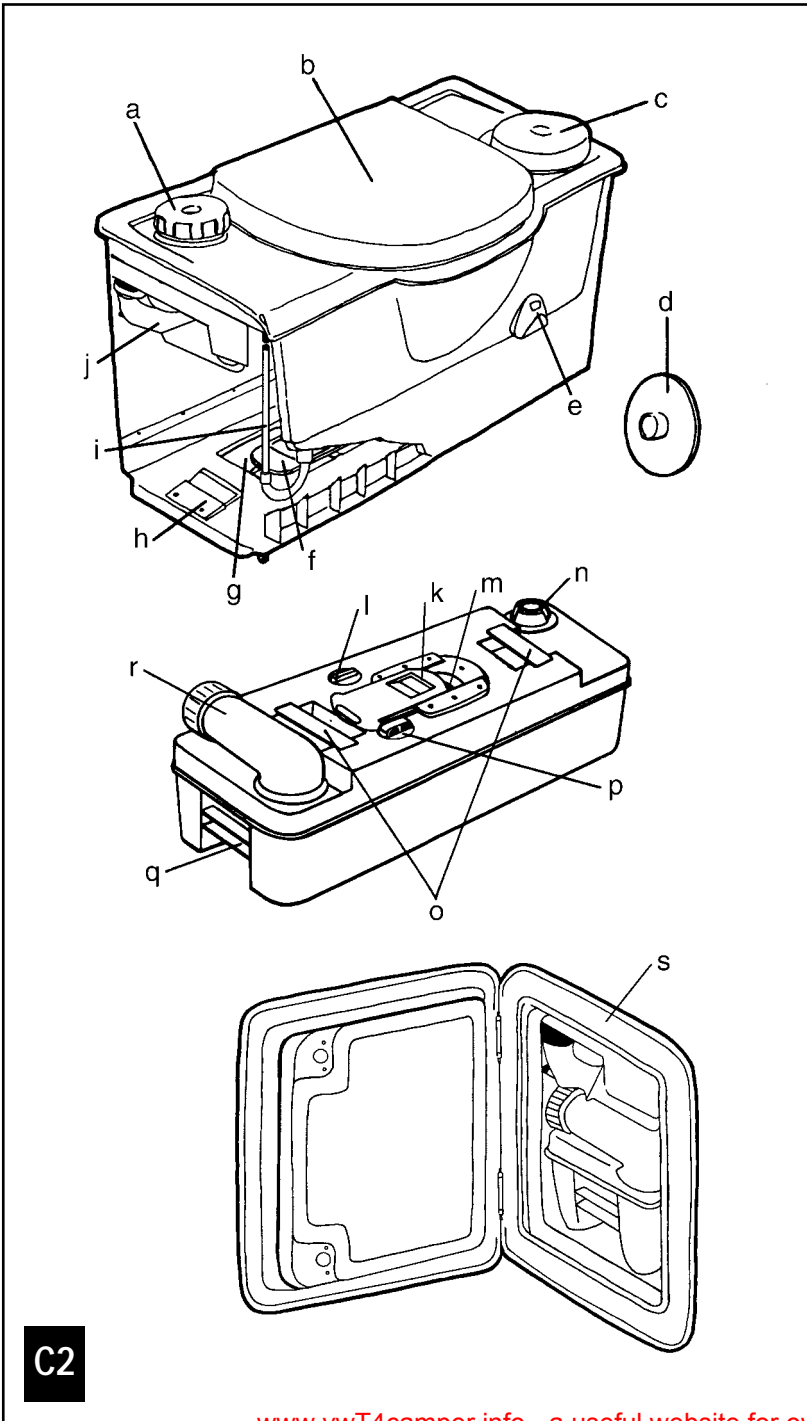
*GB • F • S • ES • DK • D • NL • I • P • N • SF • SLO*

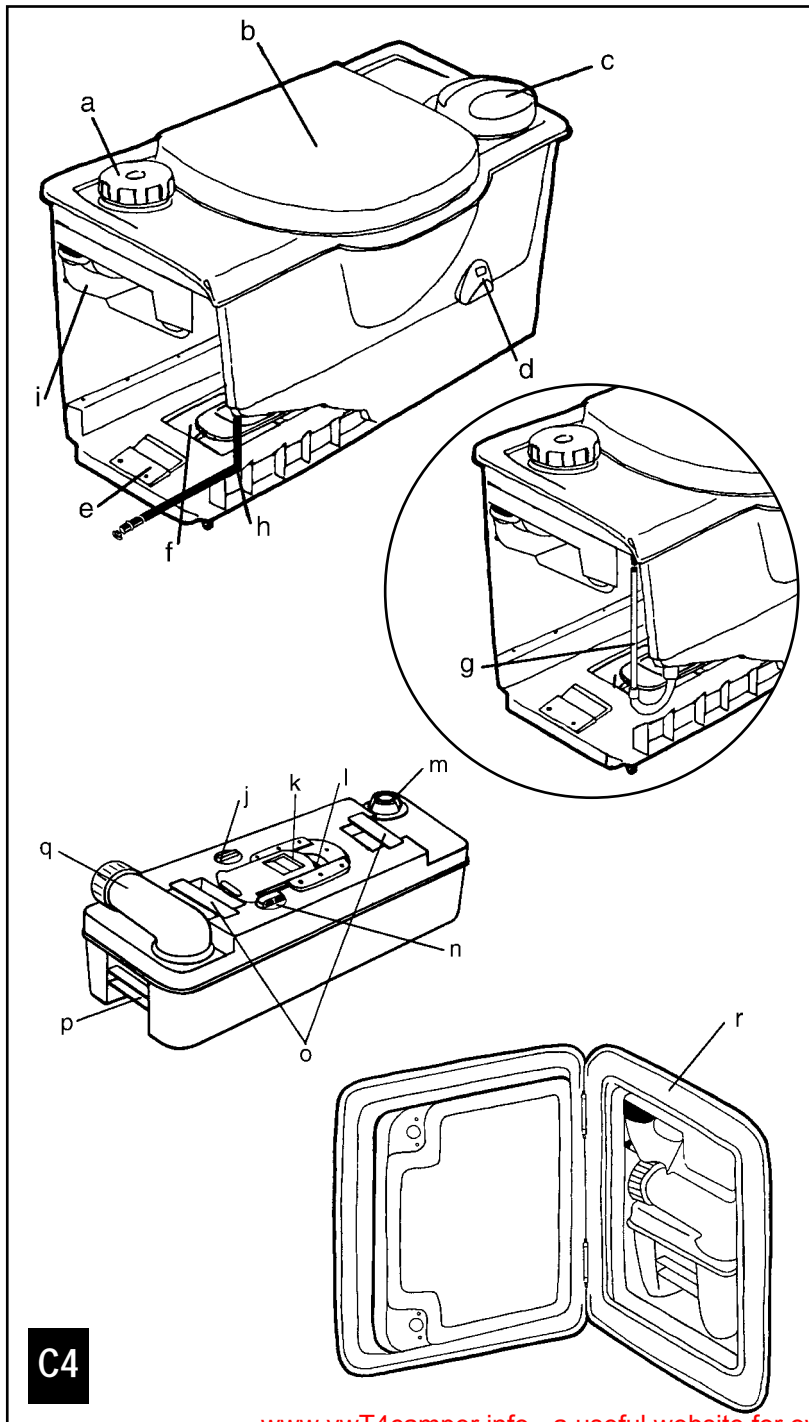
## CASSETTE C2 / C3 / C4

<b>GB</b>	-	Instruction manual	1
<b>F</b>	-	Manuel de l'utilisateur	3
<b>S</b>	-	Instruktionsbok	5
<b>ES</b>	-	Manual de instrucciones	7
<b>DK</b>	-	Brugsanvisning	9
<b>D</b>	-	Bedienungsanleitung	11
<b>NL</b>	-	Gebruiksaanwijzing	14
<b>I</b>	-	Manuale d'istruzione	16
<b>P</b>	-	Manual de instruções	18
<b>N</b>	-	Bruksanvisning	20
<b>SF</b>	-	Käyttöohje	22
<b>SLO</b>	-	Priročnik z navodili za uporabo	24



**THETFORD**  
**CASSETTE**





C4

# GB Instructions for use

These operating instructions cover Thetford cassette toilet models C2, C3 and C4. There are a few differences in the use of these models. Make sure that you follow the instructions that apply to your toilet model.

The parts and functions that are referred to by letters are illustrated on the fold-out at the back of these operating instructions.

The actions to be taken, referred to by numbers, are illustrated on the fold-out at the front of these operating instructions.

## C2 PARTS AND FUNCTIONS

- a. Flush knob: opens and shuts the valve blade and pumps water into the bowl using an electric pump.
- b. Removable seat and cover
- c. Toilet paper storage compartment: keeps the paper dry and clean.
- d. Wall mounting for toilet roll.
- e. Waste tank level indicator: indicates when the waste tank is full.
- f. Leakage tray: catches drops of flush water when the waste tank has been removed.
- g. Storage compartment for toilet fluids (only the tall model).
- h. Safety catch: holds the waste tank in place.
- i. Drain pipe: also waste level indicator for the flush water tank.
- j. Water filling funnel: turns outwards for easy filling of the water tank.
- k. Cover: guarantees optimal hygiene. Opens when the waste tank is inserted into the toilet and closes when the waste tank is removed.
- l. Valve blade opener.
- m. Valve blade / valve seal.
- n. Vent plunger: for emptying without splashing.
- o. Upper handle: for easy carrying and emptying.
- p. Automatic pressure release vent: ventilates the waste tank when it is inserted into the cassette toilet. Avoids excessive pressure build up in the waste tank.
- q. Handle.
- r. Rotating emptying spout: ensures that the waste tank can be easily and hygienically emptied.
- s. Access door to waste tank and water filling funnel: lockable from the outside of the vehicle.

## C3 PARTS AND FUNCTIONS

- a. Flush knob: opens the valve and operates your vehicle's electric pump.
- b. Removable seat and cover
- c. Toilet paper storage compartment: keeps the paper dry and clean.
- d. Wall mounting for toilet roll.
- e. Waste tank level indicator: indicates when the waste tank is full.
- f. Leakage tray: catches drops of flush water when the waste tank has been removed.
- g. Storage compartment for toilet fluids (only the tall model).
- h. Safety catch: holds the waste tank in place.
- i. Valve blade opener.
- j. Cover: guarantees optimal hygiene. Opens when the waste tank is inserted into the toilet.
- k. Valve blade / valve seal.

- l. Vent plunger: for emptying without splashing.
- m. Automatic pressure release vent: ventilates the waste tank when it is inserted in the cassette toilet. Avoids excessive pressure build up in the waste tank.
- n. Upper handle: for easy carrying and emptying.
- o. Handle.
- p. Rotating emptying spout: ensures that the waste tank can be easily and hygienically emptied.
- q. Access door to waste tank and water filling funnel: lockable from the outside of the vehicle.

## C4 PARTS AND FUNCTIONS

- a. Valve blade handle: opens and shuts the valve blade.
- b. Removable seat and cover
- c. Flush handle.
- d. Waste tank level indicator: indicates when the waste tank is full.
- e. Safety catch: holds the waste tank in place.
- f. Storage compartment for toilet fluids (only the tall model).
- g. Drainpipe for the flush water tank.
- h. Drainpipe; also waste level indicator for the flush water tank.
- i. Water filling funnel: turns outwards for easy filling of the water tank.
- j. Valve blade opener.
- k. Cover: guarantees optimal hygiene. Opens when the waste tank is inserted into the toilet and closes when the waste tank is removed.
- l. Valve blade / valve seal.
- m. Vent plunger: for emptying without splashing.
- n. Automatic pressure release vent: ventilates the waste tank when it is inserted in the cassette toilet. Avoids excessive pressure build up in the waste tank.
- o. Upper handle: for easy carrying and emptying.
- p. Handle.
- q. Rotating emptying spout: ensures that the waste tank can be easily and hygienically emptied.
- r. Access door to waste tank and water filling funnel: lockable from the outside of the vehicle.

## INTRODUCTION

The Thetford cassette toilet is a high quality product. The functional design combines modern styling with ease of use forming an integrated part of your caravan or motorhome bathroom. The Cassette toilet is manufactured from high quality synthetic material with a high gloss finish. This makes it a durable and user & maintenance friendly toilet.

The toilet is made up of two parts: a permanently fixed toilet and a waste tank that is accessible from the outside. The removable waste tank is located under the toilet and can be removed via a door on the outside of the caravan or motorhome.

The Thetford Cassette toilet is the solution to all sanitary problems in your caravan or motorhome!

## PREPARING FOR USE

Points 1 to 3 only apply to models C2 and C4. If you have a C3 cassette toilet (connected to the central water system in your caravan or motorhome) start at point 4.

## C2 AND C4

1. Open the access door on the outside of your caravan and turn the water filling funnel outwards. Remove the cap.
2. Add the stated amount of Thetford toilet fluid for the water tank via the water filling funnel. This ensures a better and cleaner flush and keeps the water in the flush tank fresh. After this fill the water tank with clean mains water.
3. Screw the cap back onto the water filling funnel. Turn the water filling funnel back inside against the side of the flush water tank.  
**Note:** 150 ml water remains in the water filling funnel when the water tank is empty.

## C2 C3 AND C4

4. Remove the waste tank by pulling the safety catch downwards.
5. Pull the waste tank outwards to the stop. Tip it slightly and take the tank out completely.
6. Place the tank upright and turn the emptying spout upwards.
7. Remove the cap, with the measuring cup inside, from the emptying spout and pour the stated quantity of Thetford toilet fluid into the waste tank. This quickly breaks down waste, avoids unpleasant smells in the waste tank and keeps the inside of the waste tank clean. Next add approximately 2 litres of water - enough to ensure that the bottom of the waste tank is covered. Screw the measuring cap back onto the emptying spout. Turn the emptying spout back to its original position.  
**N.B.:** The emptying spout cap is supplied in the same packaging as this manual.  
**Warning!** Never add toilet fluid via the valve blade or via the toilet bowl. This is immediately with water in the waste tank.
8. Slide the waste tank back into its original position via the access door.  
**Note!** Never use force if you cannot get the tank back into place easily. This may cause serious damage.
9. Make sure that the waste tank is secured with the safety catch. Shut the access door and lock it.

## USE

Point 10 is applicable to Cassette toilet models C2 and C3. If you have a C4 Cassette toilet, start from point 11.

## C2 AND C3

10. Run water into the bowl by pressing the flush button once. The toilet may be used with blade open or closed. To open the valve turn the valve blade handle in an anti clockwise direction. Your Thetford toilet is now ready for use.

## C4

11. Add water into the bowl by twisting the flush handle to the right. The toilet may be used with blade open or closed. To open the valve turn the valve blade handle in an anti clockwise direction. Your Thetford toilet is now ready for use.

## C2 C3 AND C4

12. After use open the blade (if it is still closed) by turning the valve handle (C4) or the cap (C2 and C3) to the left. Flush the

toilet by twisting the flush handle to the right (C4) or by depressing on the flush knob (C2 and C3). Close the valve blade after use.

**Note!** Do not leave water in the bowl if the toilet is not being used. This does not help to reduce unpleasant smells and only leads to flooding.

## C2 AND C3

13. Toilet paper remains clean and dry in the specially designed integrated storage compartment. The toilet roll may also be fixed to the wall with the special holder supplied with the unit.
14. Replacing toilet roll: Remove the toilet roll holder from the storage compartment on its cover. Hold the bottom of the holder in one hand and the cover in the other. Push inwards gently and turn in opposite directions until you hear a click. Disconnect the two parts. Replace toilet roll. Press holder and cover back together and turn in opposite directions again until they click into place. To avoid blockages we advise the use of Aqua Soft fast dissolving toilet paper.

## EMPTYING

The waste tank has a capacity of 20 litres. This must be emptied, at the latest, when the waste level indicator has turned from green to fully red. It is advisable to empty the waste tank earlier. The waste level indicator does not begin to change from green to red until the tank is  $\frac{3}{4}$  full.

**Note!** Do not allow the waste tank to become too full.

15. Make sure that the valve blade is closed. Open the access door located outside the vehicle. Press the safety catch downwards and remove the waste tank.
16. Carry the tank by the handles to a normal toilet or to a legal waste disposal point. Place the waste tank upright on the ground and turn the emptying spout upwards.
17. Remove the emptying spout cap. Hold the waste tank by the upper handle nearest to the emptying spout. Hold the rear handle with your other hand so that you can operate the vent plunger with your thumb. Keep the vent plunger pressed to ensure the tank is emptied without splashing.  
**Note!** The vent plunger should only be pressed once the emptying spout is pointing downwards!  
In this way the tank can be emptied without splashing. After emptying, flush the tank and clean the valve blade thoroughly with water. Also clean the valve blade with water.
18. If required, make the toilet ready for use once again. Slide the waste tank into the toilet and close the access door.

## STORAGE

It is important that you follow the instructions below if you do not expect to use the Thetford toilet for a long period.

The following text only applies to the Cassette toilet model C3. If you have a model C2 or C4, then follow the instructions under point 19, 20 and 21.

## C3

If you have a Cassette toilet model C3 and your toilet is not used in the winter, follow the procedure for making your caravan or motorhome ready for the winter: Before you drain the central water system, open the Cassette toilet magnetic valve by depressing the

flush button. Keep the button depressed in (or place a weight on the flush button) during the draining of the water system.

## C2 AND C4

19. Completely empty the water tank via the drain pipe, which is also the level indicator for the water tank. Remove the sight glass by pulling it downwards from the upper plug. Direct the draintube out through the access door opening so that the water flows out.

## C4

20. Flush by hand a couple of times, so that the flush mechanism is completely drained.

## C2 AND C4

21. Turn the water filling funnel outwards to further empty the flush system. Remove the cap underneath the water filling funnel, so that the remaining flush water can flow from the tank. Your toilet's flush system will now be completely empty.

## CLEANING AND MAINTENANCE

The waste tank seal, the automatic pressure release vent seal and the cap seal must be cleaned regularly. When the toilet is being used frequently, monthly cleaning is generally sufficient.

We advise cleaning the seals and valve blade with Thetford Bathroom Cleaner.

**Note!** Never use household cleaners (bleach, solvents or other powerful cleaning agents). These may cause permanent damage to the seals and other toilet components.

- Squirt Thetford Bathroom Cleaner in the toilet.
- Flush the bowl with water and wipe down the rest of the toilet with a damp cloth.
- Tip!** For a really shining toilet, dry it with a soft dry cloth after cleaning.
- Thoroughly clean the seals and valve blade, rub them in olive oil and wipe them over with a cloth or a piece of toilet paper. Repeat the above operation if the seal and blade are dirty or if opening and closing the blade is getting more difficult.

**Note!** Never use Vaseline or any vegetable oil except olive oil. These may cause leakage.

If the toilet will not be used for a long period, it is advisable to clean the seals and coat them lightly with olive oil. This will ensure that they remain in good condition (supple).

**N.B.** The valve blade seal is a part of the toilet that is subject to wear. Depending on the extent and manner of service, after a certain period the seal will lose quality and must be replaced.

## WINTER USE

You can use your Thetford cassette toilet as usual in cold weather, as long as the toilet is situated in a heated location. If not, there is a risk of freezing. In that case we advise that the toilet is drained by following the instructions under 'Storage'.

For the winter, do not use any antifreeze, such as that used in a car radiator, is not advised.

## THETFORD WARRANTY

Thetford B.V. offers the end users of its products a two-year guarantee. In the case of defects within the guarantee period Thetford will replace or repair the product. In this instance, the costs of replacement, labour costs for the replacement of defective components and/or the costs of the parts themselves will be paid by Thetford.

1. To claim under this guarantee, the user must take the product to a Service Centre recognised by Thetford. The claim will be assessed there.
2. Components replaced during repair under guarantee become the property of Thetford.
3. This guarantee does not prejudice current consumer protection law.
4. This guarantee is not valid in the case of products that are for, or are used for, commercial purposes.
5. Guarantee claims falling into one of the following categories will not be honoured:
  - the product has been improperly used or the instructions in the manual have not been followed
  - the product has not been installed in accordance with the instructions
  - alterations have been made to the product
  - the product has been repaired by a Service Centre not recognised by Thetford
  - the serial number or product code have been changed
  - the product has been damaged by circumstances outside the normal use of the product

## CUSTOMER SERVICE

Please visit our web site if you require further information or have questions about your toilet, [www.thetford-europe.com](http://www.thetford-europe.com). The information available includes frequently asked questions, problems and solutions, instructions for repair, tips and a list of Thetford dealers in your area. If you still have questions or remarks, please contact the Customer Service Department in your country (see the addresses at the back of this manual).

## LIABILITY

Thetford is not liable for loss and/or damage caused directly or indirectly by use of the toilet.

# F Notice d'utilisation

Cette notice d'utilisation concerne les modèles C2, C3 et C4 des toilettes à cassette Thetford. Ces modèles diffèrent légèrement. Veuillez donc bien suivre ces instructions.

Les pièces de rechange et fonctions désignées par des lettres sont présentées à la fin de cette notice d'utilisation.

Les manipulations à effectuer, désignées par des chiffres, sont présentées au début de cette notice d'utilisation.

## PIECES ET FONCTIONS DE LA TOILETTE C2

- a. Commande de rinçage et d'ouverture/fermeture du clapet.
- b. Siège et couvercle amovibles.
- c. Compartiment pour stockage et mise au sec du papier hygiénique.
- d. Support mural du distributeur de papier hygiénique.
- e. Indicateur de niveau du réservoir à matières; indique le moment de vidange du réservoir à matières.
- f. Tablette de protection assurant la récupération de l'eau pouvant provenir de la cuvette lorsque le réservoir est retiré.
- g. Compartiment de stockage pour additifs sanitaires.
- h. Patte de verrouillage maintenant la cassette en position bloquée.
- i. Tube transparent permettant de contrôler le niveau d'eau fraîche dans le réservoir et d'en assurer la vidange pour l'hiver.
- j. Préréservoir pivotant pour permettre un remplissage aisé de l'eau fraîche.
- k. Couvercle coulissant: s'ouvre et se ferme automatiquement en introduisant ou en retirant le réservoir à matières. Garantit une hygiène optimale.
- l. Commande de l'ouverture du clapet.
- m. Clapet/joint d'étanchéité du clapet.
- n. Bouton-poussoir de prise d'air. Assure une vidange sans risque d'éclaboussure.
- o. Poignées supérieures de transport: facilitent le transport et la vidange.
- p. Event automatique: assure l'aération du réservoir à matières une fois celui-ci inséré dans la toilette. Cet event prévient toute surpression dans le réservoir à matières.
- q. Poignée latérale: permet d'extraire par l'extérieur la cassette de la toilette.
- r. Bras de vidange orientable permettant de vidanger la cassette plus aisément.
- s. Portillon d'accès. Fermeture à clef par l'extérieur du véhicule.

## PIECES ET FONCTIONS DE LA TOILETTE C3

- a. Commande de rinçage et d'ouverture/fermeture de clapet.
- b. Siège et couvercle amovibles.
- c. Compartiment pour stockage et mise au sec du papier hygiénique.
- d. Support mural du distributeur de papier hygiénique.
- e. Indicateur de niveau du réservoir à matières; indique le moment de vidange du réservoir à matières.
- f. Tablette de protection assurant la récupération de l'eau pouvant provenir de la cuvette lorsque le réservoir est retiré.
- g. Compartiment de stockage pour additifs sanitaires.
- h. Patte de verrouillage maintenant la cassette en position bloquée.
- i. Commande de l'ouverture du clapet

- j. Couvercle coulissant: s'ouvre et se ferme automatiquement en introduisant ou en retirant le réservoir à matières. Garantit une hygiène optimale
- k. Clapet/joint d'étanchéité du clapet.
- l. Bouton-poussoir de prise d'air. Assure une vidange sans risque de projections.
- m. Event automatique: assure l'aération du réservoir à matières une fois celui-ci inséré dans la toilette. Cet event prévient toute surpression dans le réservoir à matières.
- n. Poignées supérieures de transport: facilitent le transport et la vidange.
- o. Poignée latérale: permet d'extraire par l'extérieur la cassette de la toilette.
- p. Bras de vidange orientable permettant de vidanger la cassette plus aisément.
- q. Portillon d'accès. Fermeture à clef par l'extérieur du véhicule.

## PIECES ET FONCTIONS DE LA TOILETTE C4

- a. Commande d'ouverture/fermeture de clapet.
- b. Siège et couvercle amovibles.
- c. Commande de rinçage
- d. Indicateur de niveau du réservoir à matières; indique le moment de vidange du réservoir à matières.
- e. Patte de verrouillage maintenant la cassette en position bloquée.
- f. Compartiment de stockage pour additifs sanitaires (uniquement pour le modèle haut)
- g. Tube transparent
- h. Tube transparent permettant de contrôler le niveau d'eau fraîche dans le réservoir et d'en assurer la vidange pour l'hiver.
- i. Préréservoir pivotant pour permettre un remplissage aisé de l'eau fraîche.
- j. Commande de l'ouverture du clapet.
- k. Couvercle coulissant: s'ouvre et se ferme automatiquement en introduisant ou en retirant le réservoir à matières. Garantit une hygiène optimale
- l. Clapet/joint d'étanchéité du clapet.
- m. Bouton-poussoir de prise d'air. Assure une vidange sans risque de projections.
- n. Event automatique: assure l'aération du réservoir à matières une fois celui-ci inséré dans la toilette. Cet event prévient toute surpression dans le réservoir à matières.
- o. Poignées supérieures de transport: facilite le transport et la vidange.
- p. Poignée latérale: permet d'extraire par l'extérieur la cassette de la toilette.
- q. Bras de vidange orientable permettant de vidanger la cassette plus aisément.
- r. Portillon d'accès. Fermeture à clef par l'extérieur du véhicule.

## INTRODUCTION

Vous venez d'acquérir une toilette Casette Thetford, produit de qualité. La conception fonctionnelle de ce produit permet d'allier modernisme et aisance d'utilisation. Cette toilette s'intègre parfaitement au décor du cabinet de toilette de votre véhicule de loisirs. Cette toilette à cassette est fabriquée à partir de plastiques injectés de haute qualité et présente une finition d'aspect brillant facilitant son nettoyage et son entretien.

La toilette se compose de deux parties: une toilette montée de façon permanente et un réservoir à matières amovible accessible depuis l'extérieur. Le réservoir à matières se trouve sous la toilette et est accessible en ouvrant la porte aménagée dans la cloison du véhicule.

La toilette à cassette Thetford est la solution idéale!

## MISE EN SERVICE

Les points 1 à 3 inclus sont uniquement applicables aux modèles C2 et C4. Si vous possédez une toilette C3 (raccordée au réservoir général d'alimentation en eau du véhicule), vous pouvez commencer au point 4.

## C2 et C4

1. Ouvrez le portillon d'accès sur le côté du véhicule et faites pivoter vers l'extérieur le préréservoir de remplissage d'eau. Dévissez le bouchon.
2. Versez par le préréservoir la quantité d'Aqua Rinse indiquée (environ 100ml). L'Aqua Rinse est un additif pour l'eau fraîche qui améliore l'efficacité du rinçage et assure une parfaite hygiène de la cuvette. Remplissez ensuite le réservoir d'eau claire jusqu'à ce que le niveau atteigne le goulot. La capacité du réservoir est de 15 litres.
3. Revissez le bouchon. Remplacez le bras articulé dans sa position initiale.  
**Remarque:** Lorsque le réservoir d'eau est vide, il reste 150ml d'eau dans l'entonnoir de remplissage d'eau.

## C2, C3 et C4

4. Appuyez sur la patte de verrouillage vers le bas pour débloquer la cassette. (Bien vérifier que le clapet à l'intérieur de la cuvette soit fermé.
5. Tirez la cassette tout droit pour l'enlever. Lorsque la cassette touche la butée, inclinez la légèrement vers le bas et retirez-la.
6. Posez la cassette en position verticale et faites pivoter le bras orientable vers le haut.
7. Dévissez le bouchon (doseur) du bras de vidange et versez dans celui-ci la quantité conseillée d'additif sanitaire Thetford pour réservoir à matières puis ajoutez environ 2 litres d'eau afin de recouvrir le fond de la cassette.  
**N.B:** A la livraison, le bouchon du bras de vidange se trouve dans le même emballage que cette notice d'utilisation.  
**Avertissement!** N'ajoutez jamais d'additif sanitaire directement par le clapet ou la cuvette car ceci pourrait endommager le joint de clapet.  
**Important** Nous recommandons avant d'effectuer un parcours en montagne de laisser la trappe légèrement entrouverte afin de maintenir la pression interne de la cassette égale à celle de l'extérieur.
8. Remplacez le réservoir à matières, extrémité avec bras orientable vers l'extérieur, par le portillon d'accès. Bien s'assurer que le clapet coulissant est placé correctement; les deux flèches pointant l'une vers l'autre.
9. Assurez-vous que la cassette est bien verrouillée par la patte de verrouillage. Fermez la porte d'accès et verrouillez-la.



## FONCTIONNEMENT ET UTILISATION

Le point 10 est uniquement applicable aux toilettes à cassette C2 et C3. Si vous disposez d'une toilette à cassette C4, passez directement au point 11.

### C2 et C3

10. Faites couler de l'eau dans la cuvette en appuyant sur la poignée de commande de rinçage de manière à ajouter de l'eau dans la cuvette. Dès que vous relâchez cette poignée, l'appoint d'eau cesse. Ouvrez le clapet en tournant vers la gauche la poignée de rinçage. Vous pouvez à présent utiliser votre toilette Thetford.

### C4

11. Faites couler de l'eau dans la cuvette en faisant pivoter vers la droite la poignée de commande de rinçage puis ouvrez le clapet en faisant pivoter la poignée d'ouverture de trappe vers la gauche. Vous pouvez à présent utiliser votre toilette Thetford.

### C2, C3 et C4

12. Après utilisation, ouvrez le clapet (s'il est encore fermé) en le faisant pivoter (C4) ou en actionnant le bouton de rinçage (C2 et C3) vers la gauche. Vous pouvez rincer la toilette en faisant tourner le bouton de rinçage vers la droite (C4) ou en appuyant dessus (C2 et C3). Fermez le panneau coulissant après l'utilisation.

**Attention!** Ne laissez pas d'eau dans la cuvette lorsque vous n'utilisez pas la toilette. Cela ne contribue en rien à réduire les odeurs désagréables et ne peut qu'entraîner des débordements.

### C2 et C3

13. Le papier toilette reste propre et sec grâce à l'espace de rangement intégré spécialement conçu à cet effet. Le rouleau de papier peut également être fixé à la paroi à l'aide du support spécial livré avec la toilette.
14. Mise en place d'un nouveau rouleau: tenez le support de papier par le couvercle et sortez-le du rangement. Tenez la partie inférieure du support dans une main et le couvercle dans l'autre. Tournez-les dans la direction opposée jusqu'à que vous entendiez un déclic. Séparez les deux parties. Placez un nouveau rouleau de papier. Tenez le support et le couvercle et emboîtez les. Tournez les de nouveau dans la direction opposée jusqu'à que vous entendiez le déclic. Pour obtenir de meilleurs résultats, nous recommandons le papier hygiénique Aqua Soft Thetford à dissolution rapide.

## VIDANGE DE LA CASSETTE

La cassette a une capacité de 20 litres, elle doit être vidée lorsque l'indicateur de niveau vire du vert au rouge. Cet indicateur ne commence à passer du vert au rouge que lorsque le réservoir est aux  $\frac{3}{4}$  plein.

**Attention!** Ne laissez pas le réservoir à matières se remplir outre mesure.

15. Veillez à fermer le clapet. Ouvrez le portillon à l'extérieur du véhicule. Tirez la patte de verrouillage vers le haut et enlevez le réservoir à matières.

16. Portez le réservoir, en le tenant par l'une des poignées, jusqu'à des toilettes classiques ou une aire de service autorisée. Mettez le réservoir à matières à la verticale et tournez le bras orientable vers le haut.
17. Dévissez le bouchon du bras orientable. Prendre la cassette d'une main par la poignée la plus proche du bras orientable. Prendre de l'autre main la poignée arrière, de sorte que le bouton prise d'air puisse se commander avec le pouce. Appuyez dessus en vidant le réservoir. On évite ainsi les éclaboussures.
- Attention!** nNe commandez le bouton de prise d'air qu'une fois le bras orientable dirigé vers le bas.
18. Une fois vidé, rincez le réservoir à l'eau claire. Si besoin, préparez de nouveau la toilette à l'utilisation. Faites glisser la cassette dans la toilette et refermez le portillon.

## STOCKAGE

Si vous n'utilisez pas votre toilette Thetford pendant un temps prolongé, il est important de vous conformer aux instructions suivantes.

### C3

Si vous possédez une toilette à cassette C3 que vous n'utilisez pas pendant l'hiver, il convient de procéder à la préparation de votre véhicule pour l'hiver.

Toutefois, avant de vidanger le circuit d'eau général du véhicule, il faut ouvrir la valve magnétique en appuyant sur la commande de rinçage alors que le système se trouve encore sous pression. Maintenez enfoncé le bouton de rinçage (ou bien placez sur celui-ci un objet de poids suffisant) pendant la vidange du circuit d'alimentation en eau.

### C2 et C4

19. Videz le réservoir d'eau fraîche à l'aide du tuyau prévu à cet effet. Retirez le tube de sa fixation et amenez-le à l'extérieur. Enlevez le bouchon pour permettre à l'eau de s'écouler hors du réservoir.

### C4

20. Rincez à présent plusieurs fois manuellement pour que le mécanisme de rinçage soit entièrement vidé.

### C2 et C4

21. Dévissez le bouchon de vidange du pré-réservoir pivotant pour permettre à l'eau de s'écouler. Retirez le pré-réservoir pivotant en le déboitant (prévoir un récipient). Remettez le en place

## NETTOYAGE ET ENTRETIEN

Le joint de clapet du réservoir à matières, le joint de l'évent d'évacuation automatique des gaz et le joint du bouchon doivent être nettoyés régulièrement. En cas d'utilisation fréquente, un nettoyage mensuel suffit généralement.

Nous vous recommandons de nettoyer les joints et le clapet à l'aide du 'Nettoyant salle de bains'.

**Attention!** N'utilisez jamais de produits détergents (chlore, solvants ou autres détergents puissants). Ces produits peuvent provoquer des dégâts irréversibles aux joints d'étanchéité et autres pièces de la toilette.

### Pour nettoyer votre toilette:

- Rincez-la avec le 'Nettoyant salle de bains' Thetford.
  - Rincez ensuite la cuvette avec de l'eau et essuyez le reste de la toilette à l'aide d'un chiffon humide.
- Conseil!** Pour obtenir une toilette particulièrement brillante, séchez-la après nettoyage à l'aide d'un chiffon doux et sec.
- Séchez soigneusement les joints et le clapet et enduisez-les d'huile d'olive. Essuyez-les à l'aide d'un chiffon ou d'une feuille de papier toilette. Répétez l'opération ci-dessus, lorsque les joints et le clapet sont sales ou lorsque l'ouverture et la fermeture se font plus difficilement.
- Attention!** N'utilisez jamais de vaseline ou d'huiles végétales autres que de l'huile d'olive. Ces produits peuvent provoquer des fuites.

Lorsque la toilette n'est pas utilisée pendant un temps prolongé, il est conseillé de nettoyer les joints et de les enduire légèrement d'huile d'olive. Les joints restent alors en bon état (souples).

**N.B.** Le joint de clapet est une pièce de votre toilette sujette à l'usure. Selon la fréquence et le mode d'entretien, il convient de remplacer les joints d'étanchéité.

## UTILISATION PAR TEMPS FROID

Si votre toilette à cassette Thetford se trouve dans un endroit chauffé, vous pouvez l'utiliser normalement par temps froid. Dans le cas contraire, elle risque de geler. Dans ce cas, nous vous conseillons de vider la toilette en suivant les instructions de la rubrique 'Stockage'.

L'utilisation de produits antigels tels que ceux qui sont utilisés dans les radiateurs de voiture n'est pas conseillée car elle entraîne une pollution de l'environnement.

## GARANTIE THETFORD

Thetford offre une garantie de deux ans aux utilisateurs de ses produits. En cas de défaillances pendant cette période de garantie, Thetford procède au remplacement ou à la réparation du produit. Les frais de remplacement, de main-d'œuvre pour le remplacement des pièces défectueuses et/ou les frais relatifs aux pièces sont alors pris en charge par Thetford.

1. Pour pouvoir faire appel à cette garantie, l'utilisateur doit amener le produit dans un Service Centre agréé par Thetford. L'application de la garantie y est évaluée.
2. Si la réparation passe par le remplacement sous garantie de certaines pièces, les pièces impliquées sont la propriété de Thetford.
3. La législation relative à la consommation en vigueur ne souffre aucun préjudice de la présente clause de garantie.
4. Cette garantie n'est pas applicable aux produits utilisés à des fins commerciales.
5. La garantie est annulée dans l'un des cas suivants:
  - le produit a été utilisé de manière peu judicieuse ou les prescriptions de la notice d'utilisation n'ont pas été respectées;
  - le produit n'a pas été installé conformément aux spécifications;
  - une modification a été apportée au produit;
  - le produit a été réparé par un technicien non agréé par Thetford;
  - le numéro de série ou le code du produit a été modifié;

- le dommage causé au produit provient de circonstances étrangères à l'utilisation normale du produit.

## SERVICE CLIENTELE

Pour plus de détails ou si vous souhaitez poser des questions au sujet de votre toilette, consultez notre site Web [www.thetford-europe.com](http://www.thetford-europe.com). Vous y trouverez entre autres un forum, des problèmes et leurs solutions, des instructions de réparation, des conseils et une liste des distributeurs Thetford de votre région. Si cela ne suffisait pas et que vous souhaitez encore nous poser des questions ou formuler des remarques, contactez le service clientèle de votre pays (voir les adresses au verso de cette notice).

## RESPONSABILITE

Thetford ne peut en aucun cas être tenu responsable de la perte et/ou de dommages résultant directement ou indirectement de l'utilisation de la toilette.

# S Bruksanvisning

Denna bruksanvisning innehåller anvisningar för användning av Thetford kassettoalett C2, C3 och C4. Dessa modeller ska på vissa punkter användas på olika sätt. Se till att du följer anvisningarna som gäller för din egen toalett.

Baktill i bruksanvisningen kan en flik vikas ut som visar de delar och funktioner till vilka bokstäverna hänvisar.

Framtill i bruksanvisningen kan en flik vikas ut som visar de handlingar som ska utföras och som hänvisas till med siffror.

## SPECIFIKATIONER C2

- Knapp för spolning och öppning av ventilbladet; öppnar och stänger ventilbladet. Spolar även vatten i toalettskålen med hjälp av en elektrisk pump.
- Avtagbar sittring och lock.
- Toalettpappersfack; håller toalettpappret rent och torrt.
- Väggmonterad toalettpappershållare.
- Nivåvisare för avfallstank; visar när avfallstanken bör tömmas.
- Droppskål; samlar upp droppar från skålen när avfallstanken är uttagen.
- Förvaringsfack för saneringsvätska (endast hög modell).
- Låsanordning för kassetten; håller fast enheten i låst läge.
- Dräneringsslang; även nivåvisare för färskvattentanken.
- Vattenpåfyllningstratt; kan svängas för enkel påfyllning av färskvattentanken.
- Glidlock; öppnas och stängs när automatiskt när avfallstanken skjuts in eller ut. Garanterar optimal hygien.
- Ventilbladsöppnare.
- Ventilblad och ventilpackning.
- Luftningsknapp; garanterar jämn tömning utan stänk.
- Övre bärhandtag; underlättar transport och tömning.
- Automatisk luftningsventil; luftar avfallstanken när den är inskjuten i toaletten. Detta förhindrar övertryck i avfallstanken.
- Bärhandtag.
- Vridbart tömningsrör; gör tömningen av kassetten lätt och bekväm.
- Servicelucka; läses från husvagnens utsida.

## SPECIFIKATIONER C3

- Knapp för spolning och öppning av ventilbladet; öppnar och stänger ventilbladet och aktiverar fordonets elektriska pump.
- Avtagbar sittring och lock.
- Toalettpappersfack; håller toalettpappret rent och torrt.
- Väggmonterad toalettpappershållare.
- Nivåvisare för avfallstank; visar när avfallstanken bör tömmas.
- Droppskål; samlar upp droppar från skålen när avfallstanken är uttagen.
- Förvaringsfack för saneringsvätska (endast hög modell).
- Låsanordning; håller fast enheten i låst läge.
- Ventilbladsöppnare.
- Glidlock; öppnas och stängs automatiskt när avfallstanken skjuts in. Garanterar optimal hygien.
- Ventilblad/ventilpackning.
- Luftningsknapp; garanterar jämn tömning utan stänk.

- Automatisk luftningsventil; luftar avfallstanken när den är inskjuten i toaletten. Detta förhindrar övertryck i avfallstanken.
- Övre bärhandtag; underlättar transport och tömning.
- Bärhandtag.
- Vridbart tömningsrör; gör tömningen av kassetten lätt och bekväm.
- Servicelucka; läses från husvagnens utsida.

## SPECIFIKATIONER C4

- Knapp för öppning och stängning av ventilbladet.
- Avtagbar sittring och lock.
- Knapp för spolning.
- Nivåvisare för avfallstank; visar när tanken bör tömmas.
- Låsanordning för kassetten; håller fast enheten i låst läge.
- Förvaringsfack för saneringsvätska (endast hög modell).
- Dräneringsslang för färskvattentanken.
- Dräneringsslang, även nivåvisare för färskvattentanken.
- Vattenpåfyllningstratt; kan svängas för enkel fyllning av färskvattentanken.
- Ventilbladsöppnare.
- Glidlock; öppnas och stängs automatiskt när avfallstanken skjuts in eller ut. Garanterar optimal hygien.
- Ventilblad / ventilpackning.
- Luftningsknapp; garanterar jämn tömning utan stänk.
- Automatisk luftningsventil; avluftar avfallstanken när den är inskjuten i toaletten. Detta förhindrar övertryck i avfallstanken.
- Övre bärhandtag; underlättar transport och tömning.
- Bärhandtag.
- Vridbart tömningsrör; gör tömningen av kassetten lätt och bekväm.
- Servicelucka; läses från husvagnens utsida.

## INLEDNING

Genom köpet av Thetford kassettoalett har Du fått en kvalitetsprodukt. Den funktionella konstruktionen kombinerar en modern formgivning med enkel användning och gör toaletten till en integrerad del av badrummet i din husvagn eller husbil. Kassettoaletten är tillverkad av högvärdig plast med glänsande finish så att den håller länge och går lätt att underhålla.

Toaletten består av två delar: en permanent monterad toalett och en lös avfallstank som kan kommas åt från utsidan. Avfallstanken sitter under toaletten och kan tas ut genom en lucka i husvagnens eller -bilens utsida.

En Thetford Kassettoalett är lösningen för det sanitära problemet i din husvagn eller husbil!

## FÖRBEREDELSE FÖR ANVÄNDNING

Punkterna 1 t.o.m. 3 gäller endast för modellerna C2 och C4, om du har en Kassettoalett C3 (ansluten till husvagnens eller husbilens centrala vattensystem) kan du börja vid punkt 4.

## C2 och C4

- Öppna serviceluckan på husvagnens eller -bilens utsida och vrid påfyllningstratten utåt. Avlägsna locket.

2. Tillfoga genom tratten den angivna mängden Thetford saneringsvätska för färskvattentanken. Detta ger bättre och renare spolning och håller vattnet i spoltanken färskt. Fyll sedan färskvattentanken med rent ledningsvatten.
3. Vrid tillbaka locket på påfyllningstratten. Vrid tillbaka tratten inåt mot spolvattentankens sida.  
**Anmärkning:** När färskvattentanken är tom finns det 150 ml vatten kvar i tratten.

## C2, C3 och C4

4. Avlägsna avfallstanken genom att trycka låsanordningen nedåt.
5. Drag tanken utåt till anslaget. Luta den något och lyft ut tanken helt.
6. Sätt tanken upprätt och vrid tömningsröret uppåt.
7. Öppna locket, med doseringsbågaren på insidan, till tömningsröret och tillsätt angiven mängd Thetford saneringsvätska i avfallstanken. Vätskan förekommer dålig lukt, bryter ned avfallet och håller dessutom avfallstanken ren. Tillsätt sedan ungefär 2 l vatten, så att tankens botten blir täckt med vätska. Sätt på locket till tömningsröret. Vrid tillbaka tömningsröret.  
**OBS:** Locket till tömningsröret bifogar Thetford med den här bruksanvisningen.  
**Varning!** Tillsätt inte saneringsvätska genom ventilbladet eller genom toalettskålen.
8. Skjut tillbaka avfallstanken genom luckan till sitt ursprungliga läge.  
**Obs!** Skjut aldrig in tanken med kraft om det inte lyckas att få den på plats. Detta kan leda till allvarlig skada.
9. Se till att avfallstanken hålls fast i låst läge av låsanordningen. Stäng serviceluckan och läs den.

## ANVÄNDNING

Punkt 10 gäller för Kassettoalett C2 och C3. Om du har en Kassettoalett C4 ska du utgå från punkt 11.

## C2 och C3

10. Fyll litet vatten i skålen genom att trycka på spolningsknappen eller öppna ventilbladet genom att dra handtaget under skålen mot dig. Din Thetford toalett är nu klar för bruk.

## C4

11. Fyll litet vatten i skålen genom att vrida spolningsknappen åt höger eller öppna ventilbladet genom att dra handtaget under skålen mot dig. Din Thetford toalett är nu klar för bruk.

## C2, C3 och C4

12. Efter bruk öppnar du ventilen (om den ännu är stängt) genom att vrida knappen för öppning av ventilbladet (C4) / knappen för spolning (C2 och C3) åt vänster. Toaletten spolas genom att vrida spolningsknappen åt höger (C4) eller trycka på spolningsknappen (C2 och C3). Stäng ventilbladet efter bruk.

**Obs!** Låt det inte stå vatten i skålen när toaletten inte används. Detta hjälper inte mot obehaglig doft och kan endast vara översvämning.

## C2 och C3

13. Toalettpapper hålls torrt och rent i det särskilda, inbyggda förvaringsfacket för detta ändamål. Toalettrullen kan även monteras på väggen med den särskilda, bifogade hållaren.
14. Placering ny rulle: Tag ut rullhållaren vid locket ur förvaringsfacket. Håll hållarens undersida i den ena handen och locket i den andra. Vrid dem i motsatt riktning tills du hör ett klick. Drag isär delarna. Placera en ny rulle. Håll hållaren och locket med båda händerna och skjut ihop dem. Vrid åter i motsatt riktning tills de klickar fast. För att förekomma förstoppning rekommenderar vi att du använder Aqua Soft snabblösande toalettpapper.

## TÖMNING

Avfallstanken har en volym på 20 liter. Den måste tömmas senast när nivåvisaren skiftar från grönt till helt rött. Vi rekommenderar att du tömmer tanken tidigare. Nivåvisaren börjar först gå från grönt till rött när tanken är fylld till tre kvart.

**Obs!** Låt inte avfallstanken bli för full.

15. Se till att ventilen är ordentligt stängt. Öppna serviceluckan på husvagnens utsida. Tryck låsanordningen nedåt och tag ut avfallstanken.
16. Bär tanken med bärhandtagen till en vanlig toalett eller till en annan tillåten tömningsplats. Sätt avfallstanken på sidan och vrid tömningsröret uppåt.
17. Tag av locket på tömningsröret. Grip avfallstanken vid det övre bärhandtaget, som sitter närmast tömningsröret. Grip med den andra handen det bakre bärhandtaget, så att du under tömningen når luftningsknappen med tummen. Håll knappen intryckt medan du tömmer tanken.  
**Obs!** tryck inte på luftningsknappen förrän tömningsröret är riktat nedåt!  
Så kan du tömma tanken utan att det stänker. Spola tanken efteråt med rent vatten. Rengör även ventilbladet med vatten.
18. Om det behövs gör man på nytt toaletten klar för bruk. Skjut in avfallstanken i toaletten och stäng luckan.

## FÖRVARING

Om du inte kommer att använda din Thetford toalett under längre tid är det viktigt att följa nedanstående anvisningar.

Följande text gäller endast för Kassettoalett C3. Om du har en Kassettoalett C2 eller C4 ska du följa anvisningarna under punkt 19, 20 och 21.

## C3

Om du har en Kassettoalett C3 och inte använder den under vintern, följ då proceduren för att göra din husvagn eller husbil klar för vintern: Innan du tömmer det centrala vattensystemet öppnar du kassettoalettens magnetventil genom att trycka på spolningsknappen. Håll knappen intryckt (eller sätt något tungt på spolningsknappen) medan du tömmer vattensystemet.

## C2 och C4

19. Töm färskvattentanken helt genom dräneringsslangen, samtidigt nivåvisare för färskvattentanken. Tag ut.

dräneringsslangen/nivåvisaren ur hållarbygeln och drag den nedåt från ovanstoppet. Vrid dräneringsslangen utåt genom luckan så att vattnet rinner ut.

## C4

20. Spola nu ett par gånger för hand tills spolmekanismen har pumpats tom.

## C2 och C4

21. Vrid påfyllningstratten utåt för att tömma spolsystemet vidare. Avlägsna proppen under påfyllningstratten så att resterande spolvatten kan rinna ut ur tanken. Toalettens spolsystem är nu helt tomt.

## RENGÖRING OCH UNDERHÅLL

Tätningarna för avfallstanken, den automatiska avluftaren och locket måste rengöras regelbundet. Vid regelbunden användning är det vanligen tillräckligt att rengöra dem 1x per månad.

Vi rekommenderar att du rengör tätningarna och ventilbladet med Thetford Toaletttrumsvätt.

**Obs!** Använd aldrig hushållsprodukter (klor, lösningsmedel eller andra kraftiga rengöringsmedel) eftersom de kan orsaka permanenta skador på tätningen och andra delar av toaletten.

- Spraya toaletten med Thetford Toaletttrumsvätt.
- Spola ur skålen med vatten, torka av resten av toaletten med en fuktig trasa.
- Tips!** För en extra glänsande toalett kan du efter rengöring torka den med en mjuk, torr trasa.
- Torka tätningarna och bladet noggrant, gnid in dem med olivolja och torka dem sedan på nytt med en trasa eller hushållspapper. Upprepa ovanstående handlingar när tätningar och blad är nedsmutsade eller om det blir svårare och svårare att öppna/stänga bladet.  
**Obs!** Använd inte vaselin eller annan växtbaserad olja än olivolja eftersom detta kan orsaka problem.

Om toaletten inte kommer att användas under längre tid bör tätningarna rengöras och behandlas lätt med olivolja. Då hålls de i god (smidig) form.

**OBS.** Bladets tätningsring är en del av toaletten som är utsatt för slitage. Beroende på hur ofta och väl den underhålls kommer funktionen efter en viss tid att försämrats, tätningsringen måste då bytas ut.

## VINTERANVÄNDNING

Thetford Kassettoalett kan användas vid kallt väder om den placeras i ett uppvärmt utrymme. Annars föreligger risk att den fryser. I så fall rekommenderar vi att du tömmer toaletten enligt anvisningarna under 'Vinterförvaring'.

Bruk av ett frostsnyddsmiddel, t.ex. ett sådant som används till bilkylare, rekommenderas ej i samband med miljöbelastning.

## THETFORD GARANTI

Thetford B.V. bjuder sina produkters slutanvändare en garanti på två år. Inom garantiperioden åtar Thetford sig vid brister att byta ut eller reparera produkten. Byteskostnader, arbetslön vid byte av trasiga delar och/eller kostnader för reservdelar betalas i så fall av Thetford.

1. För att göra anspråk på garantin ska användaren lämna in produkten hos ett Servicecentrum som är erkänt av Thetford. Här bedöms garantianspråket.
2. Om delar av produkten byts ut för reparation under garantin, blir dessa delar Thetfords egendom.
3. Gällande konsumentlagstiftning påverkas inte av detta garantivillkor.
4. Garantin gäller inte för produkter som används eller har använts för kommersiella ändamål.
5. Alla garantianspråk förfaller om:
  - produkten har använts på felaktigt sätt eller anvisningarna i bruksanvisningen inte har följts;
  - produkten inte har installerats enligt föreskrifterna;
  - ändringar har utförts hos produkten;
  - produkten har reparerats av någon annan än ett Servicecentrum erkänt av Thetford;
  - produktens serienummer eller kod har ändrats;
  - skada har uppstått hos produkten till följd av omständigheter utom produktens normala användning.

## KUNDSERVICE

För mer information eller vid frågor om produkten kan du besöka vår webbplats, [www.thetford-europe.com](http://www.thetford-europe.com). Här finner du bl.a. frågor som ofta ställs, problem och lösningar, reparationsanvisningar, tips och en lista över Thetford återförsäljare i din omgivning. Om du ändå har vidare frågor eller anmärkningar kan du kontakta avdelningen Customer Service i ditt land (se adresserna på bruksanvisningens baksida).

## ANSVARIGHET

Thetford åtar sig inget ansvar för förlust och/eller skada till följd av toaletts användning.

## ES Instrucciones de manejo

Estas instrucciones de manejo se refieren a los modelos C2, C3 y C4 del inodoro de casete Thetford. El uso de este inodoro difiere en algunos aspectos según el modelo. Asegúrese de seguir las instrucciones aplicables a su inodoro.

Los componentes y las funciones, indicadas con letras, se reproducen en un esquema desplegable incluido al final de estas instrucciones de manejo.

Las operaciones a realizar, indicadas mediante números, figuran en un esquema desplegable al principio de estas instrucciones de manejo.

### COMPONENTES Y FUNCIONES DEL C2

- a. Botón de lavado y cierre; abre y cierre la válvula de cierre y bombea agua en la taza mediante una bomba eléctrica.
- b. Asiento y tapa desmontables.
- c. Compartimento para papel higiénico; mantiene el papel seco y limpio.
- d. Soporte mural para rollo de papel higiénico.
- e. Indicador de nivel del depósito de residuos; indica cuando el depósito de residuos está lleno.
- f. Bandeja de goteo; recoge las gotas de agua de lavado cuando el depósito de residuos ha sido retirado.
- g. Espacio para guardar líquidos para inodoros (sólo en los modelos altos).
- h. Perno de sujeción; mantiene el depósito de residuos en su sitio.
- i. Manguera de vaciado; también indicador de nivel para el depósito de agua de lavado.
- j. Embudo; gira hacia fuera para facilitar el llenado del depósito de agua.
- k. Tapadera; garantiza una higiene óptima. Se abre al introducir el depósito de residuos en el inodoro y se cierre al retirarlo del inodoro.
- l. Dispositivo de apertura de la válvula de cierre.
- m. Válvula de cierre / goma de cierre.
- n. Émbolo de ventilación; para vaciar sin derramar.
- o. Asideros superiores; facilitan el transporte y el vaciado.
- p. Aireación automática; airea el depósito de residuos cuando está introducido en el inodoro de casete. Evita un exceso de presión en el depósito de residuos.
- q. Tirador.
- r. Embudo giratorio; permite vaciar el depósito de residuos de una forma cómoda e higiénica.
- s. Acceso al depósito de residuos y el embudo; bloquear en la parte exterior del vehículo.

### COMPONENTES Y FUNCIONES DEL C3

- a. Botón de lavado y cierre; abre la válvula y acciona la bomba eléctrica de su vehículo.
- b. Asiento y tapa desmontables.
- c. Compartimento para papel higiénico; mantiene el papel seco y limpio.
- d. Soporte mural para rollo de papel higiénico.
- e. Indicador de nivel del depósito de residuos; indica cuando el depósito de residuos está lleno.
- f. Bandeja de goteo; recoge las gotas de agua de lavado cuando el depósito de residuos ha sido retirado.

- g. Espacio para guardar líquidos para inodoros (sólo en los modelos altos).
- h. Perno de sujeción; mantiene el depósito de residuos en su sitio.
- i. Dispositivo de apertura de la válvula de cierre.
- j. Tapadera; garantiza una higiene óptima. Se abre cuando el depósito de residuos es introducido en el inodoro.
- k. Válvula de cierre / goma de cierre.
- l. Émbolo de ventilación; para vaciar sin derramar.
- m. Aireación automática; airea el depósito de residuos cuando está introducido en el inodoro de casete. Evita un exceso de presión en el depósito de residuos.
- n. Asideros superiores; facilitan el transporte y el vaciado.
- o. Tirador.
- p. Embudo giratorio; permite vaciar el depósito de residuos de una forma cómoda e higiénica.
- q. Acceso al depósito de residuos y el embudo; bloquear en la parte exterior del vehículo.

### COMPONENTES Y FUNCIONES DEL C4

- a. Válvula de cierre; abre y cierra la válvula de cierre.
- b. Asiento y tapa desmontables.
- c. Botón de lavado.
- d. Indicador de nivel del depósito de residuos; indica cuando el depósito de residuos está lleno.
- e. Perno de sujeción; mantiene el depósito de residuos en su sitio.
- f. Espacio para guardar líquidos para inodoros (sólo en los modelos altos).
- g. Manguera de vaciado del depósito de agua de lavado.
- h. Manguera de vaciado e indicador de nivel para el depósito de agua de lavado.
- i. Embudo; gira hacia fuera para facilitar el llenado del depósito de agua.
- j. Dispositivo de apertura de la válvula de cierre.
- k. Tapadera; garantiza una higiene óptima. Se abre al introducir el depósito de residuos en el inodoro y se cierre al retirarlo del inodoro.
- l. Válvula de cierre / goma de cierre.
- m. Émbolo de ventilación; para vaciar sin derramar.
- n. Aireación automática; airea el depósito de residuos cuando está introducido en el inodoro de casete. Evita un exceso de presión en el depósito de residuos.
- o. Asideros superiores; facilitan el transporte y el vaciado.
- p. Tirador.
- q. Embudo giratorio; permite vaciar el depósito de residuos de una forma cómoda e higiénica.
- r. Acceso al depósito de residuos y el embudo; bloquear en la parte exterior del vehículo.

## INTRODUCCIÓN

Con la compra del inodoro de casete Thetford dispone de un producto de primera calidad. Su diseño funcional combina un estilo moderno con la comodidad de uso y hace de su inodoro un elemento integrado en el cuarto de baño de su tráiler o su autocaravana. El inodoro de casete ha sido fabricado en material sintético de primera calidad con un acabado de brillo intenso. De este modo, se convierte en un inodoro duradero y fácil de usar y mantener.

El inodoro está compuesto de dos partes: un inodoro fijo montado y un depósito de residuos desmontable y accesible desde el exterior. El depósito de residuos desmontable se encuentra debajo del inodoro y puede ser retirado a través de una pequeña puerta en la parte exterior de la autocaravana o el tráiler.

¡El inodoro de casete Thetford es la solución de los problemas sanitarios en su autocaravana o tráiler!

## PREPARACIÓN PARA EL USO

Los puntos 1, 2 y 3 sólo son de aplicación a las versiones C2 y C4; si tiene un inodoro casete de la versión C3 (conectado a la red de agua central de su tráiler o autocaravana), comienza en el punto 4.

### C2 y C4

1. Abra la puerta de acceso en el exterior de su autocaravana o tráiler y gire el embudo hacia fuera. Retire el tapón.
2. Añade a través del embudo la cantidad de líquido para inodoros Thetford indicada para el depósito de agua. Este líquido garantiza un lavado mejor y más limpio y mantiene fresca el agua del depósito de agua de lavado. A continuación, rellene el depósito de agua con agua limpia de red.
3. vuelva a enroscar el tapón en el embudo. Ahora, gire el embudo hacia dentro contra el lateral del depósito de agua de lavado.  
**Nota:** Con el depósito de agua vacío quedan 150 ml de agua en el embudo.

### C2, C3 y C4

4. Retire el depósito de residuos oprimiendo el perno de sujeción hacia abajo.
5. Saque el depósito de residuos hacia fuera contra el tope. Ladeándolo ligeramente, puede retirar el depósito completamente.
6. Coloque el depósito en posición vertical y gire el embudo hacia arriba.
7. Gire el tapón del embudo con el vaso dosificador en el interior y vierta la cantidad indicada de líquido para inodoros Thetford en el depósito de residuos. Este líquido aligera la descomposición de los residuos, evita olores desagradables en el depósito de residuos y mantiene el interior del depósito de residuos limpio. A continuación, añada aproximadamente 2 litros de agua, de forma que el fondo del depósito de residuos quede completamente cubierto. Enrosque el vaso dosificador nuevamente sobre el embudo. Vuelva a girar el embudo hasta su posición inicial.  
**Nota:** El tapón del embudo se suministra en el mismo envase que estas instrucciones de manejo.  
**¡Advertencia!** No debe nunca añadir líquido para inodoros a través de la válvula de cierre o la taza del inodoro. En el depósito de residuos, este líquido se mezcla inmediatamente con el agua.
8. A través de la pequeña puerta de acceso, vuelva a colocar el depósito de residuos en su posición inicial.  
**¡Cuidado!** No intente nunca forzar la entrada del depósito de residuos cuando no consigue colocarlo en su sitio. Puede causar daños graves.
9. Asegúrese de que el depósito de residuos quede bloqueado con el perno de sujeción. Cierre la puerta de acceso con llave.

## MANEJO

El punto 10 se aplica a los inodoros de casete de las versiones C2 y C3. Si tiene un inodoro casete de la versión C4, pase al punto 11.

### C2 y C3

10. Introduzca una pequeña cantidad de agua en la taza oprimiendo el botón de lavado o abriendo la compuerta tirando de la palanca de la compuerta debajo de la taza del inodoro. Ahora ya puede usar su inodoro Thetford.

### C4

11. Introduzca una pequeña cantidad de agua en la taza girando el botón de lavado hacia la derecha o abriendo la compuerta tirando de la palanca debajo de la taza del inodoro. Ahora ya puede usar su inodoro Thetford.

### C2, C3 y C4

12. Después de usarlo, abra la compuerta (si aún está cerrada) girando la válvula de cierre (C4) / el botón de lavado (C2 y C3) hacia la izquierda. Para lavar el inodoro, gire el botón de lavado hacia la derecha (C4) u oprima el botón de lavado (C2 y C3). Después del uso, cierre la válvula de cierre.  
**¡Cuidado!** No deje agua en la taza si no usa el inodoro. No favorece la eliminación de olores desagradables y sólo puede provocar la salida del agua.

### C2 y C3

13. El papel higiénico se mantiene limpio y seco en el compartimento integrado, especialmente diseñado al efecto. El rollo de papel higiénico también puede colocarse en el soporte mural especial suministrado con el inodoro.
14. Colocación de un rollo nuevo: Retire el soporte del rollo de papel higiénico del compartimento cogiéndolo por su tapa. Sostenga la parte inferior del soporte en una mano y la tapa en la otra. Gire las dos en sentidos opuestos hasta que escuche un clic. Separe las dos partes. Coloque un rollo nuevo. Sostenga el soporte y la tapa en ambas manos y empuje hasta que encajen. Vuelva a girar las dos partes en sentidos opuestos hasta que queden sujetas. Con el fin de evitar obstrucciones, recomendamos el uso de papel higiénico de disolución rápida Aqua Soft.

## VACIADO

El depósito de residuos tiene un contenido de 20 litros. Debe vaciarse a más tardar cuando el indicador de nivel pasa de verde a completamente rojo. Se recomienda vaciar el depósito de residuos antes. El indicador de nivel comienza a pasar de verde a rojo cuando el depósito está a  $\frac{3}{4}$  de su capacidad.

- ¡Cuidado!** No deje que el depósito de residuos se llene demasiado.
15. Asegúrese de que la válvula de cierre esté cerrada. Abra la puerta de acceso en el exterior del vehículo. Oprima el perno de sujeción hacia abajo y retire el depósito de residuos.
  16. Lleve el depósito por los asideros hacia un inodoro normal o un lugar de vertido autorizado. Coloque el depósito de residuos en sentido vertical en el suelo y gire el embudo hacia arriba.

asidero superior más cercano al embudo. Con la otra mano, coja el asidero posterior de forma que pueda accionar el émbolo de ventilación con el dedo pulgar durante el vaciado. Mantenga el émbolo de ventilación oprimido mientras que el depósito se esté vaciando.

- ¡Cuidado!** ¡No oprima el émbolo de ventilación hasta que el embudo esté colocado hacia abajo!  
De esta forma puede vaciar el depósito sin salpicaduras. Después del vaciado, lave el depósito a fondo con agua. También debe limpiar la válvula de cierre con agua.
18. Si es necesario, prepare el inodoro para utilizarlo de nuevo. Deslice el depósito de residuos en el inodoro y cierre la puerta de acceso.

## ALMACENAMIENTO

Si no va a usar su inodoro Thetford por un período prolongado, es importante seguir las siguientes instrucciones.

El siguiente texto sólo es de aplicación al inodoro de casete C3. Si tiene un inodoro de casete C2 o C4, debe seguir las instrucciones de los puntos 19, 20 y 21.

### C3

Si tiene un inodoro de casete C3 y no va a utilizar su inodoro durante el invierno, debe seguir el procedimiento de preparación de su autocaravana o tráiler para el invierno: antes de vaciar el sistema central de agua, abra la válvula magnética del inodoro de casete oprimiendo el botón de lavado. Mantenga el botón oprimido (o coloque un objeto pesado sobre el botón de lavado) durante el vaciado del sistema de agua.

### C2 y C4

19. Vacíe el depósito de agua completamente a través de la manguera de vaciado, que es al mismo tiempo el indicador de nivel del depósito de agua. Retire la manguera de vaciado/indicador de nivel del anillo de sujeción y tire hacia abajo desde el tapón superior. Gire la manguera de vaciado hacia fuera a través de la apertura de la puerta hasta que el agua salga.

### C4

20. A continuación, enjuague un par de veces con la mano hasta que el mecanismo de lavado quede vacío.

### C2 y C4

21. Gire el embudo hacia fuera para seguir vaciando el sistema de lavado. Retire el tapón en la parte inferior del embudo para permitir la salida del agua de lavado restante del depósito de agua. Ahora el sistema de lavado del inodoro está completamente vacío.

## LIMPIEZA Y MANTENIMIENTO

El obturador del depósito de residuos, el obturador de la aireación automática y el obturador del tapón deben ser limpiados regularmente. Por regla general, en caso de ser usado frecuente, una limpieza mensual será suficiente.

Aconsejamos que para la limpieza de los obturadores y la compuerta se utilice un producto de limpieza de baños Thetford.

**¡Cuidado!** No utilice nunca productos de limpieza domésticos (cloro, disolventes u otros productos de limpieza con acción fuerte). Estos productos pueden causar daños irreversibles a los obturadores y demás componentes del inodoro.

- Pulverice el inodoro con el producto de limpieza Thetford.
  - Enjuague la taza con agua y limpie el resto del inodoro con un paño húmedo.
- ¡Sugerencia!** Para un inodoro más brillante, debe secar el inodoro después de la limpieza con un paño suave y seco.
- Secar los obturadores y la compuerta a fondo, untarlos con aceite de oliva y, a continuación, limpiarlos con un paño o un trozo de papel higiénico. Repita esta operación si los obturadores y la compuerta están sucios o si la apertura y el cierre de la compuerta se hace cada vez más difícil.
- ¡Cuidado!** No utilice nunca vaselina o aceites vegetales distintos del aceite de oliva. Pueden causar fugas.

Si no va a utilizar el inodoro durante un período prolongado, es aconsejable limpiar los obturadores darles un ligero tratamiento con aceite de oliva. De este modo, los obturadores se mantienen en buen estado (flexibles).

**Nota:** El anillo de cierre de la compuerta es un componente de su inodoro especialmente susceptible al desgaste. Dependiendo de la frecuencia y la forma de mantenimiento, su funcionalidad disminuye después de algún tiempo y es necesario sustituir el anillo de cierre.

## USO DURANTE EL INVIERNO

Puede utilizar su inodoro casete Thetford normalmente con tiempo frío, siempre que el inodoro se encuentre instalado en un espacio con calefacción. En caso contrario, existe un peligro de congelación. En este caso, recomendamos el vaciado del inodoro siguiendo las instrucciones del capítulo 'Almacenamiento'.

Con el fin de evitar la contaminación del medio ambiente, no se recomienda el uso de anticongelantes como, por ejemplo, los utilizados en los radiadores de los automóviles.

## GARANTÍA THETFORD

Thetford B.V. ofrece a los usuarios finales de sus productos una garantía de dos años. En el caso en que se produjeran defectos dentro del período de garantía, Thetford sustituirá o reparará el producto. En este caso, los gastos de sustitución, la mano de obra para la sustitución de piezas defectuosas y/o los gastos de las propias piezas serán por cuenta de Thetford.

1. Para tener derecho a esta garantía, el usuario debe llevar el producto a un Centro de Servicio reconocido por Thetford. En este centro se evaluará el derecho de reclamación.
2. En el caso en que, para la reparación, determinadas piezas del producto en garantía fueran sustituidas, dichas piezas serán propiedad de Thetford.
3. Esta cláusula de garantía no afecta a la legislación para la protección del consumidor actualmente en vigor.

4. Esta garantía no será de aplicación a los productos que estén siendo utilizados o hayan sido utilizados con fines comerciales.
5. El derecho de garantía caducará en cualquiera de los siguientes supuestos:
  - El producto ha sido utilizado inadecuadamente o las instrucciones del manual no han sido respetadas;
  - El producto no ha sido instalado conforme a las instrucciones;
  - Se han introducido cambios en el producto;
  - El producto ha sido reparado por un Centro de Servicio no reconocido por Thetford;
  - El número de serie o el código del producto ha sido modificado;
  - El producto ha sido dañado por circunstancias fuera del uso normal del producto.

## ATENCIÓN AL CLIENTE

Para más información o preguntas respecto de su inodoro, visite nuestra página web [www.thetford-europe.com](http://www.thetford-europe.com). Aquí encontrará un gran número de preguntas, problemas y soluciones, instrucciones de reparación, sugerencias y una lista de concesionarios Thetford de su zona. Si tuviera más preguntas u observaciones, póngase en contacto con el departamento de Atención al Cliente de su país (vea las direcciones al dorso de este manual).

## RESPONSABILIDAD

Thetford no será responsable de la pérdida y/o los daños que deriven directa o indirectamente del uso del inodoro.

## DK Brugervejledning

Nærværende brugervejledning omhandler Thetford-kassettoiletmodellerne C2, C3 og C4. Disse modeller er på en række punkter forskellige fra hinanden. Vær opmærksom på, at De følger de instruktioner, som finder anvendelse på Deres toilet.

De dele og funktioner, der henvises til med bogstaver, er klarlagt på en flap bag i nærværende brugervejledning.

De handlinger, som skal udføres, og hvortil der henvises med et tal, er klarlagt på en flap foran i nærværende brugervejledning.

## DELE OG FUNKTIONER C2

- a. Knap til skylning samt åbning og lukning af ventilbladet. Sørger endvidere for vandtilførsel til kummen ved hjælp af en elektrisk pumpe.
- b. Aftageligt sæde og låg.
- c. Beholder til opbevaring af toiletpapir; holder papiret tørt og rent.
- d. Vægbeslag til toiletpapirholder.
- e. Indikator for affaldsniveau, viser hvornår affaldstanken skal tømmes.
- f. Drypbakke; opsamler dryp fra kummen, når affaldstanken er taget ud.
- g. Opbevaringsrum til toiletmidler (kun ved høj model).
- h. Holdeklips til affaldstank; holder affaldstanken fastlåst.
- i. Afløbslange; samtidig niveauindikator for friskvandstank.
- j. Påfyldningsstuds til vand; kan svinges ud for at lette påfyldningen af friskvandstanken.
- k. Skydedæksel; åbner og lukker automatisk, når affaldstanken sættes ind og tages ud. Garanterer optimal hygiejne.
- l. Ventilbladsåbner.
- m. Ventilblad/tætning.
- n. Udluftningsventil; sikrer problemløs tømning uden sprøjt.
- o. Øverste bærehåndtag; gør transport og tømning nemmere.
- p. Automatisk udluftning af affaldstank, udlufter affaldstanken, når den sættes i toilettet. Dette forhindrer overtryk i affaldstanken.
- q. Håndtag.
- r. Svingbart aftømningsrør; gør det nemt og bekvemt at tømme affaldstanken.
- s. Adgangsdør til affaldstank og påfyldningsstuds til vand; låses fra campingvognens yderside.

## DELE OG FUNKTIONER C3

- a. Skylle- og ventilblads-knap; åbner ventilklap og betjener elektrisk pumpe på Deres køretøj.
- b. Aftageligt sæde og låg.
- c. Beholder til opbevaring af toiletpapir; holder papiret tørt og rent.
- d. Vægbeslag til toiletpapirholder.
- e. Indikator for affaldsniveau, viser hvornår affaldstanken skal tømmes.
- f. Drypbakke; opsamler dryp fra kummen, når affaldstanken er taget ud.
- g. Beholder til opbevaring af toiletmidler (kun ved høj model).
- h. Holdeklips til affaldstank; holder affaldstanken fastlåst.
- i. Ventilbladsåbner.
- j. Skydedæksel; åbner og lukker automatisk, når affaldstanken sættes ind og tages ud. Garanterer optimal hygiejne.
- k. Ventilblad/tætning.
- l. Udluftningsventil; sikrer problemløs tømning uden sprøjt.



## C2 og C4

19. Tøm vandtanken helt ved hjælp af afløbsslangen, som samtidig er niveauindikator for vandtanken. Tag afløbsslangen/niveauindikatoren ud af fastgørelsesbøjlen og træk den nedad fra det øverste bærehåndtag. Drej afløbsslangen udad gennem døråbningen, så vandet løber ud.

## C4

20. Skyl nu et par gange med hånden, så skyllemekanismen pumpes tom.

## C2 og C4

21. Drej påfyldningsstudsene til vand udad for at fortsætte tømningen af skyllesystemet. Fjern det lille låg på undersiden af påfyldningsstudsene, så det resterende skyllevand kan løbe ud af vandtanken. Toiletlets skyllesystem er nu helt tomt.

## RENGØRING OG VEDLIGEHOLDELSE

Tætningerne på affaldstanken, den automatiske udluftning og skydedækslet skal rengøres jævnligt. Ved hyppig brug er det generelt tilstrækkeligt at rengøre dem 1 gang om måneden.

Vi anbefaler at rengøre tætningerne og bladet med Thetford-badeværelsesrens.

**NB!** Brug aldrig husholdningsprodukter (klor, opløsningsmidler eller andre stærke rengøringsmidler). De kan forårsage permanente skader på tætningerne og andre dele af toiletet.

- Sprøjt Thetford-badeværelsesrens på toiletet.
  - Skyl kummen efter med vand, tør resten af toiletet af med en fugtig klud.
  - Tip!** For at få et ekstra skinnende toilet skal De tørre toiletet af efter rengøring med en blød, tør klud.
  - Tør tætningerne og bladet grundigt, smør dem med olivenolie og tør dem efterfølgende af med en klud eller et stykke toiletpapir. Gentag ovenstående handlinger, hvis tætningerne og bladet er beskidte, eller hvis det bliver vanskeligere at åbne eller lukke bladet.
- NB!** Brug aldrig vaseline eller andre vegetabiliske olier end olivenolie. De kan forårsage lækage.

Hvis toiletet ikke bruges gennem længere tid, anbefales det at rengøre tætningerne og behandle dem let med olivenolie. Tætningerne forbliver på den måde i god stand (smidige).

**NB** Tætningen på bladet er en del af Deres toilet, som udsættes for slid. Afhængig af vedligeholdelsesomfanget og -måden svækkes dens effekt efter en vis periode, og skal tætningen udskiftes.

## BRUG I VINTERPERIODEN

De kan blive ved med at bruge Deres Thetford-kassettoilet, når det er koldt, hvis toiletet står et opvarmet sted. Hvis det ikke gør det, er der risiko for tilfrysning. I det tilfælde anbefaler vi at aftappe toiletet jf. instruktionerne under "Opbevaring".

Brugen af frostvæske, f.eks. et, som bruges til radiatoren i en bil, anbefales ikke af hensyn til miljøet.

## THETFORD-GARANTI

Thetford B.V. giver slutbrugerne af dets produkter en garanti på to år. Inden for garantiperioden udskifter eller reparerer Thetford produktet i tilfælde af defekter. Udskiftningsudgifterne, arbejdslønnen for udskiftningen af defekte dele og/eller udgifterne for delene betales i det tilfælde af Thetford.

1. For at kunne gøre krav på garantien skal brugeren tage produktet hen til et servicecenter, som er anerkendt af Thetford. Her bliver kravet bedømt.
2. Hvis dele af produktet bliver udskiftet under garantien i forbindelse med reparation, bliver de pågældende dele Thetfords ejendom.
3. Den gældende forbrugerlovgivning ændres ikke af nærværende garantibestemmelser.
4. Garantien finder ikke anvendelse på produkter, som anvendes eller er blevet anvendt til kommercielle formål.
5. Alle krav på garanti bortfalder i ét af følgende tilfælde:
  - produktet er blevet brugt usagkyndigt, eller forskrifterne i vejledningen er ikke blevet fulgt;
  - produktet er ikke installeret jf. forskrifterne;
  - produktet er blevet ændret;
  - produktet er blevet repareret af et servicecenter, som ikke er anerkendt af Thetford;
  - produktets serienummer eller kode er blevet ændret;
  - skader på produktet er opstået på grund af forhold, som ikke vedrører den normale brug af produktet.

## KUNDESERVICE

Se for yderligere oplysninger eller spørgsmål om Deres toilet vor website [www.thetford-europe.com](http://www.thetford-europe.com). Her står der bl.a. mange stillede spørgsmål, problemer og løsninger, reparationsinstruktioner, tips og en liste over Thetford-forhandlere i nærheden af Dem. Har De alligevel yderligere spørgsmål eller bemærkninger, bedes De kontakte kundeserviceafdelingen i Deres land (se adresserne bag på denne vejledning).

## ANSVAR

Thetford er ikke ansvarlig for tab og/eller skade, som er en direkte eller indirekte følge af brug af toiletet.

## D Gebrauchsanweisung

In dieser Gebrauchsanweisung werden die Ausführungen C2, C3 und C4 der Thetford Cassettentoilette behandelt. Diese Ausführungen unterscheiden sich in manchen Punkten bei der Verwendung. Achten Sie darauf, dass Sie den Anweisungen folgen, die für Ihre Toilette gelten.

Die Teile und Funktionen, auf die mit Buchstaben verwiesen wird, sind am Ende dieser Gebrauchsanweisung auf einer Klappkarte dargestellt.

Die auszuführenden Handlungen, auf die mit Ziffern verwiesen wird, befinden sich am Anfang dieser Gebrauchsanweisung auf einer Klappkarte.

## TEILE UND FUNKTIONEN C2

- a. Spülungs- und Schieberhandgriff; öffnet und schließt den Schieber und pumpt mittels einer elektrischen Pumpe Wasser in den Behälter.
- b. Abnehmbare Brille und Deckel.
- c. Toilettenpapierfach; hält das Papier trocken und sauber.
- d. Wandhalter für Toilettenpapierrolle.
- e. Füllstandsanzeige Fäkalientank; gibt an, wann der Fäkalientank voll ist.
- f. Leckplatte; fängt Spülwassertropfen auf, wenn der Fäkalientank entfernt ist.
- g. Fach zum Verstauen der Sanitärflüssigkeiten (nur bei hohem Modell).
- h. Sicherungsklemme; sorgt für sichere Position des Fäkalientanks.
- i. Ablassschlauch, gleichzeitig Füllstandsanzeige für den Frischwassertank.
- j. Wasserfülltrichter; dreht sich nach außen für leichtes Füllen des Wassertanks.
- k. Abdeckplatte; garantiert optimale Hygiene. Öffnet, wenn der Fäkalientank in die Toilette geschoben wird, und schließt, wenn der Fäkalientank herausgenommen wird.
- l. Schieberknäuf.
- m. Schieber / Schieberdichtung.
- n. Belüftungsknopf; für spritzerfreies Entleeren.
- o. Obere Handgriffe; für leichtes Tragen und Entleeren.
- p. Automatische Entlüftung; entlüftet den Fäkalientank, wenn dieser in die Cassettentoilette geschoben ist. Verhindert Überdruck im Fäkalientank.
- q. Handgriff.
- r. Schwenkbarer Auslaufstutzen; sorgt dafür, dass der Fäkalientank leicht und hygienisch geleert werden kann.
- s. Servicetüre für den Fäkalientank und Wassereinfülltrichter; an der Außenseite des Fahrzeuges zu verriegeln.

## TEILE UND FUNKTIONEN C3

- a. Spülungs- und Schieberhandgriff; öffnet und schließt den Schieber, läßt Wasser vom zentralen Tank in den Behälter.
- b. Abnehmbare Brille und Deckel.
- c. Toilettenpapierfach; hält das Papier trocken und sauber.
- d. Wandhalter für Toilettenpapierrolle.
- e. Füllstandsanzeige Fäkalientank; gibt an, wann der Fäkalientank voll ist.
- f. Leckplatte; fängt Spülwassertropfen auf, wenn der Fäkalientank entfernt ist.
- g. Fach für Sanitärflüssigkeiten (nur bei hohem Modell).



- h. Sicherungsklemme; sorgt für sichere Position des Fäkalientanks.
- i. Schieberknauf.
- j. Abdeckplatte; garantiert optimale Hygiene. Öffnet, wenn der Fäkalientank in die Toilette geschoben wird.
- k. Schieber / Schieberdichtung.
- l. Belüftungsknopf; für spritzerfreies Entleeren.
- m. Automatische Entlüftung; entlüftet den Fäkalientank, wenn dieser in die Cassettentoilette geschoben ist. Verhindert Überdruck im Fäkalientank.
- n. Obere Handgriffe; für leichtes Tragen und Entleeren.
- o. Handgriff.
- p. Schwenkbarer Auslaufstutzen; sorgt dafür, dass der Fäkalientank leicht und hygienisch geleert werden kann.
- q. Servicetüre für den Fäkalientank und Wassereinflüßrichter; an der Außenseite des Fahrzeuges zu verriegeln.

## TEILE UND FUNKTIONEN C4

- a. Schieberhandgriff; öffnet und schließt den Schieber.
- b. Abnehmbare Brille und Deckel.
- c. Spüldrehgriff.
- d. Füllstandsanzeige Fäkalientank; gibt an, wann der Fäkalientank voll ist.
- e. Sicherungsklemme; sorgt für sichere Position des Fäkalientanks.
- f. Fach für Sanitärflüssigkeiten (nur bei hohem Modell).
- g. Ablaßschlauch des Frischwassertanks.
- h. Ablaßschlauch, gleichzeitig Füllstandsanzeige für den Frischwassertank.
- i. Wasserfüllrichter; dreht sich nach außen für leichtes Füllen des Wassertanks.
- j. Schieberknauf.
- k. Abdeckplatte; garantiert optimale Hygiene. Öffnet, wenn der Fäkalientank in die Toilette geschoben wird und schließt, wenn der Fäkalientank herausgenommen wird.
- l. Schieber / Schieberdichtung.
- m. Belüftungsknopf; für spritzerfreies Entleeren.
- n. Automatische Entlüftung; entlüftet den Fäkalientank, wenn dieser in die Cassettentoilette geschoben ist. Verhindert Überdruck im Fäkalientank.
- o. Obere Handgriffe; für leichtes Tragen und Entleeren.
- p. Handgriff.
- q. Schwenkbarer Auslaufstutzen; sorgt dafür, dass der Fäkalientank leicht und hygienisch geleert werden kann.
- r. Servicetüre für den Fäkalientank und Wassereinflüßrichter; an der Außenseite des Fahrzeuges zu verriegeln.

## EINLEITUNG

Mit der Thetford Cassettentoilette verfügen Sie über ein Qualitätsprodukt. Durch die funktionale Gestaltung werden modernes Design und bequeme Benutzung kombiniert und formt die Toilette einen integralen Bestandteil im Bad Ihres Wohnwagens oder Wohnmobils. Die Cassettentoilette besteht aus hochwertigem Kunststoff mit Hochglanzoberfläche. Dadurch ist es eine langlebige, benutzungs- und wartungsfreundliche Toilette.

Die Toilette besteht aus zwei Teilen: einer permanent montierten Toilette und einem von außen zugänglichen und herausnehmbaren Fäkalientank. Der herausnehmbare Fäkalientank befindet sich unter der Toilette und kann durch eine Tür an der Außenseite des Wohnwagens oder Wohnmobils entnommen werden.

Die Thetford Cassettentoilette ist die Lösung für das Sanitärproblem in Ihrem Wohnwagen oder Wohnmobil!

## VORBEREITUNG FÜR DIE NUTZUNG

Die Punkte 1 bis 3 gelten nur für die C2- und C4-Ausführungen; wenn Sie eine Cassettentoilette C3 (an das zentrale Wassersystem des Wohnwagens oder Wohnmobils angeschlossen) haben, können Sie bei Punkt 4 beginnen.

### C2 und C4

1. Öffnen Sie die Servicetüre an der Außenseite Ihres Wohnwagens oder Wohnmobils und drehen Sie den Wassereinflüßrichter nach außen. Entfernen Sie den Deckel.
2. Fügen Sie durch den Wassereinflüßrichter die angegebene Menge Thetford Spülwasserzusatz (Aqua Rinse) für den Wassertank hinzu. Dies sorgt für eine bessere und reinigendere Spülung und hält das Wasser im Frischwassertank frisch. Füllen Sie danach den Wassertank mit Leitungswasser.

3. Drehen Sie den Deckel wieder auf den Wasserfüllrichter. Drehen Sie nun den Wasserfüllrichter nach innen gegen die Seitenfläche des Frischwassertanks.

**Anmerkung:** Es verbleiben 150 ml Wasser im Wassereinflüßrichter, wenn der Wassertank leer ist.

### C2, C3 und C4

4. Entnehmen Sie den Fäkalientank, indem Sie die Sicherungsklemme nach unten drücken.
5. Ziehen Sie den Fäkalientank nach außen bis an den Anschlag. Kippen Sie ihn ein wenig und nehmen Sie den Tank vollständig heraus.
6. Stellen Sie den Tank gerade hin und drehen Sie den Auslaufstutzen nach oben.
7. Drehen Sie den Deckel, mit dem Dosierbecher an der Innenseite, von dem Auslaufstutzen und geben Sie die angegebene Menge Thetford Sanitärflüssigkeit in den Fäkalientank. Dadurch werden Fäkalien schnell abgebaut, üble Gerüche im Fäkalientank verhindert und die Innenseite des Fäkalientanks sauber gehalten. Fügen Sie dann noch rund zwei Liter Wasser hinzu, so dass der Boden des Fäkalientanks vollständig bedeckt ist. Drehen Sie danach den Dosierbecher zurück auf den Auslaufstutzen. Drehen Sie den Auslaufstutzen zurück in die ursprüngliche Stellung.

**Hinweis:** Der Deckel des Auslaufstutzens befindet sich bei der Lieferung in derselben Verpackung wie diese Gebrauchsanweisung.

**Warnung!** Fügen Sie die Sanitärflüssigkeit NIE durch die Schieberöffnung oder durch das Toilettenbecken hinzu. Im Fäkalientank wird diese sofort mit Wasser gemischt.

8. Schieben Sie den Fäkalientank durch die Türe wieder in seine ursprüngliche Position zurück.
- Achtung!** Verwenden Sie beim Hineinschieben des Fäkalientanks keine Gewalt. Dies kann zu schwerwiegenden Beschädigungen führen.
9. Sorgen Sie dafür, dass der Fäkalientank mit der Sicherungsklemme verriegelt ist. Schließen Sie die Servicetüre ab.

## BEDIENUNG

Punkt 10 gilt für die Cassettentoiletten C2 und C3. Wenn Sie eine Cassettentoilette C4 haben, beginnen Sie bei Punkt 11.

## C2 und C3

10. Lassen Sie etwas Wasser in das Becken laufen, indem Sie den Spülknopf (Schieberhandgriff) einmal drücken. Die Toilette kann mit geöffnetem oder geschlossenem Schieber benutzt werden. Um den Schieber zu öffnen drehen Sie den Schieberhandgriff entgegen dem Uhrzeigersinn. Sie können jetzt Ihre Toilette benutzen.

### C4

11. Lassen Sie etwas Wasser in das Becken laufen, indem Sie den Spüldrehgriff im Uhrzeigersinn drehen. Die Toilette kann mit geöffnetem oder geschlossenem Schieber benutzt werden. Um den Schieber zu öffnen drehen Sie den Schieberhandgriff entgegen dem Uhrzeigersinn. Sie können jetzt Ihre Toilette benutzen.

## C2, C3 und C4

12. Nach der Benutzung öffnen Sie den Schieber (wenn noch geschlossen), indem Sie den Schieberhandgriff (C4) bzw. Spülungs- und Schieberhandgriff (C2 und C3) gegen den Uhrzeigersinn drehen. Sie spülen die Toilette, indem Sie den Spülknopf mit dem Uhrzeigersinn drehen (C4) oder indem Sie auf den Spülungs- und Schieberhandgriff drücken (C2 und C3). Schließen Sie den Schieber nach der Benutzung.

**Achtung** Lassen Sie kein Wasser im Becken stehen, wenn die Toilette nicht verwendet wird. Das vermindert nicht unangenehme Gerüche, sondern kann lediglich zu Verstopfung führen.

## C2 und C3

13. Das Toilettenpapier bleibt in dem eigens dafür entworfenen integrierten Aufbewahrungsfach sauber und trocken. Die Toilettenpapierrolle kann auch mit dem mitgelieferten speziellen Halter an der Wand befestigt werden.
14. Eine neue Rolle einsetzen: Holen Sie den Toilettenpapierrollenhalter an seinem Deckel aus dem Aufbewahrungsfach. Halten Sie die Unterseite des Halters in der einen und den Deckel in der anderen Hand. Drehen Sie sie in entgegengesetzter Richtung, bis Sie ein Klicken hören. Ziehen Sie die Teile auseinander. Setzen Sie eine neue Rolle ein. Halten Sie den Halter und den Deckel in beiden Händen und schieben Sie sie ineinander. Drehen Sie sie wieder in entgegengesetzter Richtung, bis sie einrasten. Um Verstopfungen im Fäkalientank zu verhindern, empfehlen wir Ihnen, Thetford Aqua Soft schnell auflösendes Toilettenpapier zu verwenden.

## ENTLEEREN

Der Fäkalientank hat einen Inhalt von 20 Litern. Dieser muss spätestens dann geleert werden, wenn die Füllstandsanzeige von grün auf rot gewechselt ist. Es wird empfohlen, den Fäkalientank schon vorher zu entleeren. Die Füllstandsanzeige wechselt erst dann von grün auf rot, wenn der Tank  $\frac{3}{4}$  voll ist.

- Achtung!** Lassen Sie den Fäkalientank nicht zu voll werden.
15. Sorgen Sie dafür, dass den Schieber geschlossen ist. Öffnen Sie die Servicetüre an der Außenseite des Fahrzeuges. Drücken Sie die Sicherungsklemme nach unten und entnehmen Sie den Fäkalientank.

16. Tragen Sie den Tank mithilfe der Handgriffe zu einer normalen Toilette oder einer anderen erlaubten Entsorgungsstation. Stellen Sie den Tank senkrecht auf den Boden und drehen Sie den Auslaufstutzen nach oben.
17. Entfernen Sie den Deckel des Auslaufstutzens. Greifen Sie den Fäkalientank an dem oberen Handgriff, der sich neben dem Auslaufstutzen befindet. Greifen Sie den hinteren Handgriff mit der anderen Hand, so dass der Belüftungsknopf während des Entleerens mit dem Daumen bedient werden kann. Halten Sie den Belüftungsknopf eingedrückt, während der Tank leer läuft.  
**Achtung!** Drücken Sie den Belüftungsknopf erst dann, wenn der Auslaufstutzen nach unten zeigt!  
So kann der Tank ohne Spritzen entleert werden. Spülen Sie nach dem Entleeren den Tank gut mit Wasser. Reinigen Sie auch den Schieber mit Wasser.
18. Machen Sie, wenn nötig, die Toilette wieder gebrauchsbereit. Schieben Sie den Fäkalientank in die Toilette und schließen Sie die Servicetüre.

## LAGERUNG

Wenn Sie Ihre Thetford Toilette längere Zeit nicht benutzen, ist es wichtig, die folgenden Anweisungen einzuhalten.

Der folgende Text gilt nur für die Cassettentoilette C3. Wenn Sie eine Cassettentoilette C2 oder C4 haben, dann folgen Sie bitte den Anweisungen unter den Punkten 19, 20 und 21.

### C3

Wenn Sie eine Cassettentoilette C3 haben und diese im Winter nicht benutzen, dann machen Sie bitte Ihren Wohnwagen oder Ihr Wohnmobil winterfest. Bevor Sie das zentrale Wassersystem ablaufen lassen, öffnen Sie das Magnetventil der Cassettentoilette, indem Sie auf den Spülknopf drücken. Halten Sie den Knopf eingedrückt (oder legen Sie einen schweren Gegenstand auf den Spülknopf) während des Ablassens des Wassers aus dem System.

### C2 und C4

19. Entleeren Sie den Wassertank vollständig über den Ablassschlauch, gleichzeitig Füllstandsanzeige für den Wassertank. Nehmen Sie den Ablassschlauch / die Füllstandsanzeige aus dem Haltebügel und ziehen Sie diesen nach unten von dem oberen Stöpsel ab. Schwenken Sie den Ablassschlauch nach außen durch die Türöffnung, so dass das Wasser herausläuft.

### C4

20. Spülen Sie nun einige Male mit der Hand, bis dass der Spülmechanismus leergepumpt ist.

### C2 und C4

21. Schwenken Sie den Wasserfülltrichter nach außen, um das Spülsystem weiter zu entleeren. Entfernen Sie den Deckel an der Unterseite des Wasserfülltrichters, so dass das übrige Frischwasser aus dem Wassertank laufen kann. Das Spülsystem der Toilette ist nun völlig leer.

## REINIGUNG UND WARTUNG

Die Dichtung des Fäkalientanks, die Dichtung der automatischen Entlüftung und die Dichtung des Deckels müssen regelmäßig gereinigt werden. Bei häufiger Nutzung ist eine Reinigung im Monat normalerweise hinreichend.

Wir empfehlen, die Dichtungen und den Schieber mit Thetford Badreiniger zu säubern.

**Achtung!** Verwenden Sie keine Haushaltsprodukte (Chlor, Lösungsmittel oder andere starke Reinigungsmittel). Diese können bleibende Schäden an den Dichtungen und an anderen Teilen der Toilette hervorrufen.

- Sprühen Sie die Toilette mit Thetford Badreiniger ein.
  - Spülen Sie das Becken mit Wasser nach und wischen Sie den Rest der Toilette mit einem feuchten Tuch ab.
- Tipp!** Für eine besonders schön glänzende Toilette trocknen Sie die Toilette nach dem Reinigen mit einem weichen, trockenen Tuch ab.
- Trocknen Sie die Dichtungen und den Schieber gründlich, reiben Sie sie mit Olivenöl ein und wischen Sie sie dann mit einem Tuch oder mit Toilettenpapier ab. Wiederholen Sie oben stehende Handlungen, wenn die Dichtungen und der Schieber verschmutzt sind oder wenn das Öffnen und Schließen des Schiebers schwer geht.
- Achtung!** Verwenden Sie nie Vaseline oder andere pflanzliche Öle außer Olivenöl. Diese können Lecks verursachen.

Wenn die Toilette längere Zeit nicht benutzt wird, ist es ratsam, die Dichtungen zu reinigen und ein wenig mit Olivenöl zu behandeln. Die Dichtungen bleiben dann in gutem Zustand (weich).

**HINWEIS:** Der Dichtungsring des Schiebers ist ein Bestandteil Ihrer Toilette, der der Abnutzung unterliegt. In Abhängigkeit vom Ausmaß und der Art der Wartung vermindert der Dichtungsring nach einer bestimmten Zeit die Funktionsfähigkeit und muss ersetzt werden.

## GEBRAUCH IM WINTER

Sie können Ihre Thetford Cassettentoilette ganz normal während kalten Wetters verwenden, wenn die Toilette in einer warmen Umgebung steht. Ist dies nicht der Fall, besteht die Möglichkeit des Einfrierens. In diesem Fall empfehlen wir, das Wasser der Toilette entsprechend den Anweisungen im Abschnitt „Lagerung“ abzulassen.

Von der Verwendung von Frostschutzmitteln, zum Beispiel solchen, die im Kühler des Autos eingesetzt werden, wird im Zusammenhang mit Umweltverschmutzung abgeraten.

## THETFORD GARANTIE

Thetford B.V. gewährt den Benutzern seiner Produkte eine Garantie von zwei Jahren. Innerhalb der Garantiezeit wird Thetford im Falle von Defekten das Produkt ersetzen oder reparieren. Die Kosten für den Ersatz, der Arbeitslohn für den Ersatz defekter Teile und/oder die Kosten für die Ersatzteile selbst gehen in diesem Fall auf Rechnung von Thetford.

1. Um Ansprüche aus dieser Garantie geltend zu machen, muss der Benutzer das Produkt zu einem von Thetford anerkannten Dienstleistungszentrum bringen. Hier wird der Anspruch beurteilt.

2. Wenn zur Instandsetzung Teile des Produktes im Rahmen der Garantie ersetzt werden, gehen die betreffenden Ersatzteile in das Eigentum von Thetford über.
3. Die geltenden Verbraucherschutzgesetze werden von dieser Garantiebestimmung unverletzt gelassen.
4. Diese Garantie gilt nicht für Produkte, die für gewerbliche Zwecke verwendet werden oder wurden.
5. Alle Garantieansprüche verfallen bei einem der folgenden Fälle:
  - das Produkt wurde unsachgemäß verwendet oder die Vorschriften in der Gebrauchsanweisung wurden nicht befolgt;
  - das Produkt wurde nicht gemäß den Vorschriften installiert;
  - am Produkt wurden Veränderungen vorgenommen;
  - das Produkt wurde von einem nicht von Thetford anerkannten Dienstleistungszentrum repariert;
  - die Seriennummer oder der Code des Produkts wurde geändert;
  - am Produkt sind Schäden entstanden aus Gründen, die nicht im normalen Gebrauch des Produktes selbst liegen.

## KUNDENDIENST

Schauen Sie für mehr Informationen, oder wenn Sie Fragen zu Ihrer Toilette haben, auf unserer Website: [www.thetford-europe.com](http://www.thetford-europe.com). Hier finden Sie unter anderem häufig gestellte Fragen, Probleme und Lösungen, Reparaturanweisungen, Tipps und eine Liste mit Thetford-Händlern in Ihrer Umgebung. Sollten Sie darüber hinaus noch Fragen oder Bemerkungen haben, dann nehmen Sie bitte mit der Abteilung Kundendienst in Ihrem Land Kontakt auf (siehe die Adressen am Ende dieser Gebrauchsanweisung).

## HAFTUNG

Thetford haftet nicht für Verlust und/oder Schaden als unmittelbare oder mittelbare Folge des Gebrauchs der Toilette.

# NL Gebruiksaanwijzing

In deze gebruiksaanwijzing worden de uitvoeringen C2, C3 en C4 van het Thetford Cassettetoilet behandeld. Deze uitvoeringen verschillen op enige punten in gebruik. Let u erop dat u die instructies opvolgt, die van toepassing zijn op uw toilet.

De onderdelen en functies, waarnaar met letters wordt verwezen, zijn achterin deze gebruiksaanwijzing door middel van een uitklap in kaart gebracht.

De te verrichten handelingen, waarnaar met cijfers wordt verwezen, staan voorin deze gebruiksaanwijzing op een uitklap uitgebeeld.

## ONDERDELEN EN FUNCTIES C2

- a. Spoel- en afsluitschuifknop; opent en sluit de afsluitschuif en pompt water in de pot d.m.v. een elektrische pomp.
- b. Afneembare bril en deksel.
- c. Toilet papieropbergvak; houdt het papier droog en schoon.
- d. Wandhouder voor toiletrol.
- e. Niveaumeter afvaltank; geeft aan wanneer de afvaltank vol is.
- f. Lekplaat; vangt spoelwaterdruppels op als de afvaltank verwijderd is.
- g. Opbergruimte voor toiletvloeistoffen (alleen bij hoog model).
- h. Beveiligingsklem; houdt de afvaltank op zijn plaats.
- i. Aftapslang; tevens niveaumeter voor de spoelwater tank.
- j. Watervultrechter; draait naar buiten voor gemakkelijk vullen van de watertank.
- k. Afdekplaat; garandeert een optimale hygiëne. Opent wanneer de afvaltank in het toilet geschoven wordt en sluit wanneer de afvaltank eruit genomen wordt.
- l. Afsluitschuif opener.
- m. Afsluitschuif / afsluitrubber.
- n. Beluchtingsknop; voor legen zonder spatten.
- o. Bovenhandvaten; voor gemakkelijk dragen en legen.
- p. Automatische ontluuchting; ontluucht de afvaltank wanneer deze in het Cassettetoilet geschoven is. Voorkomt overdruk in de afvaltank.
- q. Handgreep.
- r. Draaibare schenk tuit; zorgt ervoor dat de afvaltank gemakkelijk en hygiënisch geleegd kan worden.
- s. Toegangsdeur tot afvaltank en watervultrechter; aan de buitenzijde van het voertuig te vergrendelen.

## ONDERDELEN EN FUNCTIES C3

- a. Spoel- en afsluitschuifknop; opent ventielklep en bedient elektrisch pomp van uw voertuig.
- b. Afneembare bril en deksel.
- c. Toilet papieropbergvak; houdt het papier droog en schoon.
- d. Wandhouder voor toiletrol.
- e. Niveaumeter afvaltank; geeft aan wanneer de afvaltank vol is.
- f. Lekplaat; vangt spoelwaterdruppels op als de afvaltank verwijderd is.
- g. Opbergruimte voor toiletvloeistoffen (alleen bij hoog model).
- h. Beveiligingsklem; houdt de afvaltank op zijn plaats.
- i. Afsluitschuif opener.
- j. Afdekplaat; garandeert een optimale hygiëne. Opent wanneer de afvaltank in het toilet geschoven wordt.
- k. Afsluitschuif / afsluitrubber.

- l. Beluchtingsknop; voor legen zonder spatten.
- m. Automatische ontluuchting; ontluucht de afvaltank wanneer deze in het Cassettetoilet geschoven is. Voorkomt overdruk in de afvaltank.
- n. Bovenhandvaten; voor gemakkelijk dragen en legen.
- o. Handgreep.
- p. Draaibare schenk tuit; zorgt ervoor dat de afvaltank gemakkelijk en hygiënisch geleegd kan worden.
- q. Toegangsdeur tot afvaltank en watervultrechter; aan de buitenzijde van het voertuig te vergrendelen.

## ONDERDELEN EN FUNCTIES C4

- a. Afsluitschuif; opent en sluit de afsluitschuif.
- b. Afneembare bril en deksel.
- c. Spoelknop.
- d. Niveaumeter afvaltank; geeft aan wanneer de afvaltank vol is.
- e. Beveiligingsklem; houdt de afvaltank op zijn plaats.
- f. Opbergruimte voor toiletvloeistoffen (alleen bij hoog model).
- g. Aftapslang van de spoelwater tank.
- h. Aftapslang tevens niveaumeter voor de spoelwater tank.
- i. Watervultrechter; draait naar buiten voor gemakkelijk vullen van de watertank.
- j. Afsluitschuif opener.
- k. Afdekplaat; garandeert een optimale hygiëne. Opent wanneer de afvaltank in het toilet geschoven wordt en sluit wanneer de afvaltank eruit genomen wordt.
- l. Afsluitschuif / afsluitrubber.
- m. Beluchtingsknop; voor legen zonder spatten.
- n. Automatische ontluuchting; ontluucht de afvaltank wanneer deze in het Cassettetoilet geschoven is. Voorkomt overdruk in de afvaltank.
- o. Bovenhandvaten; voor gemakkelijk dragen en legen.
- p. Handgreep.
- q. Draaibare schenk tuit; zorgt ervoor dat de afvaltank gemakkelijk en hygiënisch geleegd kan worden.
- r. Toegangsdeur tot afvaltank en watervultrechter; aan de buitenzijde van het voertuig te vergrendelen.

## INLEIDING

Met het Thetford Cassettetoilet heeft u een kwaliteitsproduct in handen. Door het functionele ontwerp worden moderne vormgeving en gebruiksgemak gecombineerd en vormt het toilet een geïntegreerd onderdeel van de badkamer van uw caravan of camper. Het Cassettetoilet is vervaardigd van hoogwaardige kwaliteit kunststof met een hoogglans afwerking. Dit maakt het tot een duurzaam, gebruiks- en onderhoudsvriendelijk toilet.

Het toilet bestaat uit twee gedeelten: een permanent gemonteerd toilet en een van buiten toegankelijke uitneembare afvaltank. De uitneembare afvaltank bevindt zich onder het toilet en kan via een deurtje aan de buitenkant van caravan of camper worden verwijderd.

Het Thetford Cassettetoilet is de oplossing voor het sanitaire probleem in uw caravan of camper!

## VOORBEREIDING VOOR GEBRUIK

Punt 1 t/m 3 zijn alleen van toepassing op de C2 en C4 uitvoering, als u een Cassettetoilet C3 (aangesloten op het centrale watersysteem van camper of caravan) heeft, kunt u starten bij punt 4.

## C2 en C4

1. Open de toegangsdeur aan de buitenzijde van uw caravan of camper en draai de watervultrechter naar buiten. Verwijder de dop.
2. Voeg via de watervultrechter de aangegeven hoeveelheid Thetford toiletvloeistof voor de watertank toe. Dit zorgt voor een betere en schonere spoeling en houdt het water van de spoelwater tank fris. Vul hierna de watertank met schoon leidingwater.
3. Draai de dop weer op de watervultrechter. Draai nu de watervultrechter naar binnen tegen de zijkant van de spoelwater tank aan.  
**Opmerking:** Er blijft 150 ml water in de watervultrechter staan als de watertank leeg is.

## C2, C3 en C4

4. Verwijder de afvaltank door de beveiligingsklem naar beneden te drukken.
5. Trek de afvaltank naar buiten tot tegen de aanslag. Kantel hem enigszins en neem de tank geheel uit.
6. Zet de tank rechtop en draai de schenk tuit omhoog.
7. Draai de dop, met aan de binnenzijde de doseerbeker, van de schenk tuit en schenk de aangegeven hoeveelheid Thetford toiletvloeistof in de afvaltank. Hierdoor breken afvalstoffen snel af, worden nare geurtjes in de afvaltank voorkomen en wordt de binnenzijde van de afvaltank schoongehouden. Voeg vervolgens nog ongeveer 2 liter water toe, zodat de bodem van de afvaltank geheel bedekt is. Draai hierna de doseerdop terug op de schenk tuit. Draai de schenk tuit terug in oorspronkelijke stand.  
**N.B.:** De dop van de schenk tuit bevindt zich bij aflevering in dezelfde verpakking als deze gebruiksaanwijzing.  
**Waarschuwing!** Voeg nooit toiletvloeistof toe via de afsluitschuif of via de toiletpot. In de afvaltank worden deze meteen met water vermengd.
8. Schuif de afvaltank weer via het deurtje in zijn originele positie.  
**Let op!** Duw nooit met kracht de afvaltank naar binnen als het niet lukt de tank op zijn plaats te krijgen. Dit kan tot ernstige beschadigingen leiden.
9. Zorg ervoor dat de afvaltank vergrendeld is met de beveiligingsklem. Sluit de toegangsdeur en doe deze op slot.

## GEBRUIK

Punt 10 is van toepassing op het Cassettetoilet C2 en C3. Heeft u een Cassettetoilet C4, gaat u dan uit van punt 11.

## C2 en C3

10. Laat wat water in de pot lopen door de spoelknop te drukken of open de schuif door de schuifhendel onder de toiletpot naar u toe te halen. U kunt nu gebruik maken van uw Thetford toilet.

## C4

11. Laat wat water in de pot lopen door de spoelknop naar rechts te draaien of open de schuif door de schuifhendel onder de toiletpot naar u toe te halen. U kunt nu gebruik maken van uw Thetford toilet.

## C2, C3 en C4

2. Afsluitschuif / afsluitrubber (niet nog gesloten) door de

afsluitschuif (C4) / spoelknop (C2 en C3) naar links te draaien. U spoelt het toilet door de spoelknop naar rechts te draaien (C4) of door op de spoelknop te drukken (C2 en C3). Sluit de afsluitschuif na gebruik.

**Let op!** Laat geen water in de pot staan, als het toilet niet wordt gebruikt. Dit helpt niet bij het reduceren van onaangename geuren en kan slechts leiden tot overstroming.

## C2 en C3

- Toiletpapier blijft schoon en droog in het speciaal daarvoor ontworpen geïntegreerde opbergvak. De toiletrol kan ook met de meegeleverde speciale houder aan de wand bevestigd worden.
- Een nieuwe rol in zetten: Haal de toiletrolhouder aan zijn deksel uit het opbergvak. Houd de onderkant van de houder in de ene en het deksel in de andere hand. Draai ze in tegengestelde richting tot u een klik hoort. Trek de delen uit elkaar. Breng een nieuwe rol aan. Houd de houder en deksel in beide handen en duw ze in elkaar. Draai weer in tegengestelde richting tot ze vastklikken. Om verstoppingen te voorkomen, raden wij aan om Aqua Soft snel oplossend toiletpapier te gebruiken.

## LEGEN

De afvaltank heeft een inhoud van 20 liter. Deze moet uiterlijk geleegd worden als de niveaumeter van groen naar geheel rood is gegaan. Aanbevolen is om de afvaltank reeds eerder te legen. De niveaumeter begint pas van groen naar rood te gaan als de tank  $\frac{3}{4}$  vol is.

**Let op!** Laat de afvaltank niet te vol worden.

- Zorg ervoor dat de afsluitschuif gesloten is. Open de toegangsdeur aan de buitenzijde van het voertuig. Druk de beveiligingsklem naar beneden en verwijder de afvaltank.
- Draag de tank m.b.v. de handvaten naar een normaal toilet of een andere toegestane stortplaats. Zet de afvaltank verticaal op de grond en draai de schenktuit omhoog.
- Verwijder de dop van de schenktuit. Pak de afvaltank bij het bovenhandvat dat zich het dichtst bij de schenktuit bevindt. Pak de achterhandgreep met de andere hand zodat de beluchtingsknop tijdens het legen met de duim bediend kan worden. Houd de beluchtingsknop ingedrukt terwijl de tank leegloopt.  
**Let op!** beluchtingsknop pas indrukken als de schenktuit naar beneden wijst!  
Zo kan de tank spatvrij geleegd worden. Spoel na het legen de tank goed met water. Reinig ook de afsluitschuif met water.
- Maak, indien nodig het toilet weer gereed voor gebruik. Schuif de afvaltank in het toilet en sluit de toegangsdeur.

## OPSLAG

Als u uw Thetford toilet langere tijd niet gaat gebruiken, is het van belang dat u onderstaande instructies opvolgt.

De volgende tekst is slechts van toepassing op het Cassettetoilet C3. Heeft u een Cassettetoilet C2 of C4, volgt u dan de instructies onder punt 19, 20 en 21 op.

## C3

Heeft u een Cassettetoilet C3 en uw toilet wordt in de winter niet gebruikt, volgt u dan de procedure voor het wintergereed maken van uw caravan of camper: Voordat u het centrale watersysteem aftapt,

opent u het magneetventiel van het Cassettetoilet door op de spoelknop te drukken. Houd de knop ingedrukt (of plaats iets zwaars op de spoelknop) gedurende het aftappen van het watersysteem.

## C2 en C4

- Leeg de watertank in zijn geheel via de aftapslang, tevens niveaumeter voor de watertank. Haal de aftapslang/niveaumeter uit de bevestigingsbeugel en trek deze naar beneden van de bovenstop af. Draai de aftapslang naar buiten door de deuropening zodat het water eruit loopt.

## C4

- Spoel nu een paar keer met de hand, zodat het spoelmechanisme is leeggepompt.

## C2 en C4

- Draai de watervultrechter naar buiten om het spoelsysteem verder te legen. Verwijder het dopje aan de onderkant van de watervultrechter, zodat het resterende spoelwater uit de watertank kan lopen. Het spoelsysteem van het toilet is nu geheel leeg.

## SCHOONMAAK EN ONDERHOUD

De afdichting van de afvaltank, de afdichting van de automatische ontlichting en de afdichting van de dop moeten regelmatig schoongemaakt worden. Bij frequent gebruik is 1x per maand reinigen in het algemeen voldoende.

Wij adviseren om de afdichtingen en schuif schoon te maken met Thetford Badkamerreiniger.

**Let op!** Gebruik nooit huishoudelijke producten (chloor, oplosmiddelen of andere krachtige schoonmaakmiddelen). Deze kunnen blijvende schade veroorzaken aan de afdichtingen en andere onderdelen van het toilet.

- Spuit het toilet in met Thetford Badkamerreiniger.
- Spoel de pot na met water, neem de rest van het toilet af met een vochtige doek.  
**Tip!** Voor een extra glanzend toilet droogt u het toilet na reinigen af met een zachte, droge doek.
- Droog de afdichten en schuif grondig, wrijf ze in met olijfolie en neem ze vervolgens af met een doek of stuk toiletpapier. Herhaal bovenstaande handelingen, wanneer de afdichtingen en schuif bevuild zijn of wanneer het openen en sluiten van de schuif zwaarder gaat.  
**Let op!** Gebruik nooit vaseline of andere plantaardige oliën dan olijfolie. Deze kunnen lekkage veroorzaken.

Wanneer het toilet voor langere tijd niet gebruikt wordt, is het verstandig om de afdichtingen schoon te maken en licht te behandelen met olijfolie. De afdichtingen blijven dan in goede vorm (soepel).

**N.B.** De afdichting van de schuif is een onderdeel van uw toilet dat onderhevig is aan slijtage. Afhankelijk van de mate en wijze van onderhoud, vermindert na een bepaalde periode de functie en dient de afdichting te worden vervangen.

## GEBRUIK IN DE WINTER

U kunt uw Thetford Cassettetoilet gewoon gebruiken tijdens koud weer indien het toilet in een verwarmde omgeving staat. Wanneer dit niet het geval is, bestaat de kans op bevriezing. In dat geval raden wij aan om het toilet af te tappen door de instructies onder 'Opslag' te volgen.

Het gebruik van antivriesmiddel, zoals bijvoorbeeld antivriesmiddel welke gebruikt wordt voor de radiator van een auto, wordt niet geadviseerd in verband met milieubelasting.

## THETFORD GARANTIE

Thetford B.V. biedt de eindgebruikers van haar producten een garantie van twee jaar. Binnen de garantieperiode zal Thetford, in geval van defecten, overgaan tot vervanging of herstel van het product. De kosten voor vervanging, arbeidsloon voor het vervangen van defecte onderdelen en/of de kosten van de onderdelen zelf komen in dit geval voor rekening van Thetford.

- Om aanspraak te kunnen maken op deze garantie moet de gebruiker het product naar een door Thetford erkend Service Centre brengen. Hier zal de aanspraak worden beoordeeld.
- Indien voor herstel onderdelen van het product onder garantie worden vervangen, worden de betreffende onderdelen eigendom van Thetford.
- De geldende consumentenwetgeving wordt door deze garantie bepaling onverlet gelaten.
- Deze garantie is slechts van toepassing indien de aflevering van het product in de Europese Unie heeft plaatsgevonden.
- Deze garantie geldt niet voor producten die voor commerciële doeleinden gebruikt worden of zijn.
- Iedere aanspraak op garantie vervalt in één van de volgende gevallen:
  - het product onoordeelkundig is gebruikt of de voorschriften in de handleiding niet zijn opgevolgd;
  - het product niet volgens voorschriften is geïnstalleerd;
  - er veranderingen aan het product zijn aangebracht;
  - het product door een niet door Thetford erkend Service Centre is gerepareerd;
  - het serienummer of de code van het product is gewijzigd;
  - schade aan het product is ontstaan door omstandigheden buiten het normaal gebruik van het product zelf.

## KLANTENSERVICE

Kijk voor meer informatie of vragen over uw toilet op onze website, [www.thetford-europe.com](http://www.thetford-europe.com). Hier vindt u onder andere veel gestelde vragen, problemen en oplossingen, reparatieinstructies, tips en een lijst met Thetford dealers bij u in de buurt. Mocht u desondanks nog vragen of opmerkingen hebben, neemt u dan contact op met de afdeling Customer Service van uw land (zie de adressen achterop deze handleiding).

## AANSPRAKELIJKHEID

Thetford is niet aansprakelijk voor verlies en/of schade als direct of indirect gevolg van gebruik van het toilet.

# I Istruzioni per l'uso

Il presente manuale contiene le istruzioni per l'uso della toilette a cassetta Thetford modello C2, C3 e C4. Questi modelli differiscono leggermente l'uno dall'altro nell'uso. Seguire attentamente le istruzioni relative alla toilette in uso.

I componenti e le funzioni, indicati con lettere, sono illustrati in un pieghevole contenuto sul retro di questo manuale.

Le operazioni da eseguire, indicate con cifre, vengono illustrate in un pieghevole riportato all'inizio di questo manuale.

## COMPONENTI E FUNZIONI DEL MODELLO C2

- a. Pulsante di risciacquo; apre e chiude la valvola di scarico e pompa acqua nella tazza tramite una pompa elettrica.
- b. Sedile copriwater con coperchio, smontabile.
- c. Scomparto per la carta igienica; mantiene la carta igienica asciutta e pulita.
- d. Portarotolo di carta igienica per parete.
- e. Indicatore di livello del serbatoio di scarico; indica quando è pieno il serbatoio di scarico.
- f. Vaschetta; raccoglie le gocce di acqua pulita quando il serbatoio di scarico viene estratto.
- g. Scomparto per i liquidi per toilette (solo nei modelli superiori).
- h. Blocco di sicurezza; tiene fermo il serbatoio di scarico.
- i. Tubo flessibile di scarico; funziona anche come indicatore di livello per il serbatoio dell'acqua pulita.
- j. Imbuto per rifornimento dell'acqua; può essere girato all'esterno per facilitare il rifornimento del serbatoio dell'acqua.
- k. Coperchio di chiusura; garantisce un'igiene ottimale. Si apre automaticamente quando il serbatoio di scarico viene messo nella toilette e si chiude quando il serbatoio viene tolto dalla toilette.
- l. Dispositivo di apertura della valvola di scarico.
- m. Valvola di scarico / guarnizione in gomma di tenuta.
- n. Pulsante di aerazione; per svuotare la toilette senza spruzzi.
- o. Maniglie superiori; per trasportare e svuotare facilmente la cassetta.
- p. Valvola equilibratrice della pressione; serve per il serbatoio di scarico, quando questo viene posto nella toilette a cassetta. Previene che nel serbatoio di scarico si crei una pressione eccessiva.
- q. Impugnatura.
- r. Manicotto di scarico girevole; consente di svuotare il serbatoio di scarico facilmente ed in modo igienico.
- s. Sportello d'accesso al serbatoio di scarico ed all'imbuto per rifornimento dell'acqua; è dotato di serratura per impedire l'accesso dall'esterno.

## COMPONENTI E FUNZIONI DEL MODELLO C3

- a. Pulsante per il risciacquo; apre la valvola di scarico e controlla la pompa elettrica del veicolo.
- b. Sedile copriwater con coperchio, smontabile.
- c. Scomparto per la carta igienica; mantiene la carta igienica asciutta e pulita.

- d. Portarotolo di carta igienica per parete.
- e. Indicatore di livello del serbatoio di scarico; indica quando è pieno il serbatoio di scarico.
- f. Vaschetta; raccoglie le gocce di acqua pulita quando il serbatoio di scarico viene estratto.
- g. Scomparto per i liquidi per toilette (solo nei modelli superiori).
- h. Blocco di sicurezza; tiene fermo il serbatoio di scarico.
- i. Dispositivo di apertura della valvola di scarico.
- j. Coperchio di chiusura; garantisce un'igiene ottimale. Si apre automaticamente quando il serbatoio di scarico viene inserito nella toilette.
- k. Valvola equilibratrice / guarnizione in gomma di tenuta.
- l. Pulsante di aerazione; per svuotare la toilette senza spruzzi.
- m. Rilascio automatico della pressione; serve per il serbatoio di scarico, quando questo viene posto nella toilette a cassetta. Previene che nel serbatoio di scarico si crei una pressione eccessiva.
- n. Maniglie superiori; per trasportare e svuotare facilmente la cassetta.
- o. Impugnatura.
- p. Manicotto di scarico girevole; consente di svuotare il serbatoio di scarico facilmente ed in modo igienico.
- q. Sportello d'accesso al serbatoio di scarico; è dotato di serratura per impedire l'accesso dall'esterno. Può essere bloccato all'esterno del veicolo.

## COMPONENTI E FUNZIONI DEL MODELLO C4

- a. Manopola apertura e chiusura valvola di scarico.
- b. Sedile copriwater con coperchio, smontabile.
- c. Manopola di risciacquo.
- d. Indicatore di livello del serbatoio di scarico; indica quando è pieno il serbatoio di scarico.
- e. Blocco di sicurezza; tiene fermo il serbatoio di scarico.
- f. Scomparto per i liquidi per toilette (solo nei modelli superiori).
- g. Tubo flessibile di scarico per il serbatoio dell'acqua pulita.
- h. Tubo flessibile di scarico, che funziona anche come indicatore di livello per il serbatoio dell'acqua pulita.
- i. Imbuto per rifornimento dell'acqua; può essere girato all'esterno per facilitare il rifornimento del serbatoio dell'acqua.
- j. Dispositivo di apertura della valvola di scarico.
- k. Coperchio di chiusura; garantisce un'igiene ottimale. Si apre automaticamente quando il serbatoio di scarico viene messo nella toilette e si chiude quando il serbatoio viene tolto dalla toilette.
- l. Valvola di scarico / guarnizione in gomma di tenuta.
- m. Pulsante di aerazione; per svuotare la toilette senza spruzzi.
- n. Valvola equilibratrice della pressione; serve per il serbatoio di scarico, quando questo viene posto nella toilette a cassetta. Previene che nel serbatoio di scarico si crei una pressione eccessiva.
- o. Maniglie superiori; per trasportare e svuotare facilmente la cassetta.
- p. Impugnatura.
- q. Manicotto di scarico girevole; consente di svuotare il serbatoio di scarico facilmente ed in modo igienico.
- r. Sportello d'accesso al serbatoio di scarico ed all'imbuto per rifornimento dell'acqua; è dotato di serratura per impedire l'accesso.

## INTRODUZIONE

Con l'acquisto della toilette a cassetta Thetford, avete scelto un prodotto di qualità. Grazie al design funzionale si ha un connubio di

stile moderno e praticità d'uso, per cui la toilette forma una parte integrante del bagno della vostra roulotte o del vostro camper. La toilette a cassetta è fabbricata con materiale plastico di grande qualità, con una finitura lucida, che fanno di questa toilette un prodotto durevole, pratico e di facile manutenzione.

La toilette è formata da due parti: una toilette montata permanentemente ed un serbatoio di scarico asportabile. Il serbatoio si trova sotto la toilette e può essere smontato tramite uno sportello sul lato esterno della roulotte o del camper.

La toilette a cassetta Thetford è la soluzione al problema dei sanitari nella vostra roulotte o nel vostro camper!

## PREPARATIVI PRIMA DELL'USO

I punti da 1 a 3 si riferiscono solamente ai modelli C2 e C4; se avete una toilette a cassetta C3 (collegata al sistema centrale dell'acqua nella roulotte o nel camper), potete iniziare dal punto 4.

## C2 e C4

1. Aprire lo sportello d'accesso all'esterno della roulotte o del camper e fare ruotare l'imbuto per rifornimento dell'acqua verso l'esterno. Togliere il tappo.
2. Attraverso l'imbuto per rifornimento dell'acqua versare nel serbatoio dell'acqua la quantità indicata di liquido per toilette Thetford. In questo modo si avrà un risciacquo migliore e più pulito e l'acqua nel serbatoio sarà più fresca. In seguito, riempire il serbatoio con acqua pulita di rubinetto.
3. Chiudere di nuovo il tappo dell'imbuto per rifornimento dell'acqua. Poi fare ruotare l'imbuto per rifornimento dell'acqua verso l'interno, contro il lato del serbatoio dell'acqua pulita.  
**Nota:** quando il serbatoio dell'acqua è vuoto, nell'imbuto per rifornimento dell'acqua rimangono 150 ml di acqua.

## C2, C3 e C4

4. Per smontare il serbatoio di scarico premere verso il basso il blocco di sicurezza.
5. Tirare il serbatoio di scarico verso l'esterno fino al dispositivo di arresto. Inclinarlo leggermente ed estrarlo.
6. Metterlo in posizione verticale e girare il manicotto di scarico verso l'alto.
7. Togliere il tappo, munito di dosatore, dal manicotto di scarico e versare nel serbatoio di scarico la quantità indicata di liquido per toilette Thetford. In questo modo i rifiuti si decompongono rapidamente, si prevengono gli odori spiacevoli nel serbatoio di scarico e si previene la formazione di incrostazioni. Subito dopo, aggiungere ancora 2 litri d'acqua, in modo che il fondo del serbatoio sia completamente immerso. Poi richiudere il tappo di dosaggio sul manicotto di scarico e riportarlo nella posizione originale.  
**N.B.:** al momento della consegna il tappo del manicotto di scarico si trova nella stessa confezione delle istruzioni per l'uso.  
**Avvertenza!** Non aggiungere mai liquido per toilette attraverso la valvola di scarico o la tazza della toilette. Nel serbatoio di scarico queste sostanze si mescolano immediatamente con l'acqua.  
Inserire nuovamente il serbatoio di scarico attraverso lo sportello esterno.

**Attenzione!** Non forzare mai l'ingresso del serbatoio nella toilette, se non si riesce ad inserire facilmente il serbatoio. Ciò può portare a danni gravi.

- Assicurarsi che il serbatoio di scarico sia bloccato con il blocco di sicurezza. Chiudere lo sportello d'accesso con la chiave.

## USO

Il punto 10 si riferisce alla toilette a cassetta C2 e C3. Se avete una toilette a cassetta C4, passate al punto 11.

## C2 e C3

- Fare scorrere un po' d'acqua nella tazza premendo il pulsante di risciacquo. Questa operazione si può effettuare con la valvola di scarico aperta o chiusa. Per aprire la valvola di scarico girare la manopola in senso antiorario. A questo punto la toilette Thetford è pronta per l'uso.

## C4

- Fare scorrere un po' d'acqua nella tazza girando la manopola di risciacquo verso destra. Questa operazione si può effettuare con la valvola di scarico aperta o chiusa. Per aprire la valvola di scarico girare la manopola in senso antiorario. A questo punto la toilette Thetford è pronta per l'uso.

## C2, C3 e C4

- Dopo l'uso, aprire la valvola di scarico (se chiusa) girando verso sinistra la manopola (C4) / il pulsante di risciacquo (C2 e C3). Per richiamare l'acqua nella tazza girare la manopola di risciacquo verso destra (C4) oppure premerlo (C2 e C3). Dopo l'uso chiudere la valvola di scarico.

**Attenzione!** Non lasciare acqua nella tazza, se la toilette non viene usata. Ciò non aiuta a ridurre la formazione di odori spiacevoli e può portare unicamente alla fuoriuscita dell'acqua dalla tazza.

## C2 e C3

- La carta igienica rimane asciutta e pulita nello speciale scomparto appositamente progettato. Il portarotolo può essere anche fissato alla parete con lo speciale alloggiamento fornito a corredo.
- Per mettere un nuovo rotolo: togliere il portarotolo dallo scomparto. Tenere la parte inferiore del portarotolo in una mano e nell'altra il coperchio. Ruotarli in direzione opposta fino a che non si ode uno scatto. Staccare le due parti. Inserire un nuovo rotolo. Tenere il portarotolo ed il coperchio in entrambe le mani e premerli l'uno contro l'altro. Ruotarli di nuovo in direzione opposta fino a che non s'incestrano l'uno nell'altro. Per prevenire occlusioni, si consiglia di utilizzare carta igienica Aqua Soft, che si scioglie rapidamente.

## PER SVUOTARE LA TOILETTE

Il serbatoio di scarico ha un volume di 20 litri e deve essere svuotato al più tardi quando l'indicatore di livello da verde diventa completamente rosso. Si consiglia di svuotare il serbatoio di scarico prima che sia completamente pieno. L'indicatore di livello inizia a diventare rosso quando il serbatoio è pieno per  $\frac{3}{4}$ .

**Attenzione!** Non lasciare che il serbatoio di scarico si riempia troppo.

- Assicurarsi che la valvola di scarico sia chiusa. Aprire lo sportello d'accesso all'esterno del veicolo. Premere il blocco di sicurezza verso il basso ed estrarre il serbatoio di scarico.
- Con l'ausilio delle maniglie portare il serbatoio ad una normale toilette o ad un altro punto di scarico autorizzato. Mettere il serbatoio di scarico in posizione verticale sul terreno e girare verso l'alto il manicotto di scarico.
- Togliere il tappo dal manicotto di scarico. Afferrare il serbatoio di scarico sulla maniglia superiore che si trova vicino al manicotto. Afferrare l'impugnatura posteriore con l'altra mano in modo che il pulsante di aerazione possa essere controllato con il pollice mentre si svuota il serbatoio. Tenere premuto il pulsante di aerazione mentre si svuota il serbatoio.  
**Attenzione!** Premere il pulsante di aerazione solo quando il manicotto di scarico è rivolto verso il basso!  
In questo modo si può svuotare il serbatoio senza spruzzi. In seguito sciacquare il serbatoio con acqua. Pulire anche la valvola di scarico.
- Se necessario, preparare di nuovo la toilette per l'uso. Inserire il serbatoio di scarico nella toilette e chiudere lo sportello d'accesso.

## IMMAGAZZINAGGIO

Se la toilette Thetford non viene usata per un lungo periodo, è essenziale seguire le istruzioni riportate qui di seguito.

Le istruzioni seguenti si riferiscono unicamente alla toilette a cassetta C3. Se avete una cassetta per toilette C2 o C4, seguite le istruzioni al punto 19, 20 e 21.

## C3

Se avete una toilette a cassetta C3 e la vostra toilette non viene usata in inverno, seguite la procedura per i preparativi all'inverno della vostra roulotte o del vostro camper. Prima di scaricare il sistema centrale dell'acqua, aprire l'elettrovalvola della toilette a cassetta premendo il pulsante di risciacquo. Tenere premuto il pulsante (oppure porvi sopra qualche cosa di pesante) durante l'operazione di scarico del sistema dell'acqua.

## C2 e C4

- Svuotare completamente il serbatoio dell'acqua con il tubo flessibile di scarico e indicatore di livello. Togliere il tubo flessibile di scarico/indicatore di livello dal gancio di fissaggio e tirarlo verso il basso rispetto al blocco superiore. Ruotare il tubo flessibile verso l'esterno attraverso l'apertura della porta, in modo che l'acqua possa fuoriuscire.

## C4

- Sciacquare un paio di volte a mano, in modo che il meccanismo di risciacquo sia completamente vuoto.

## C2 e C4

- Ruotare l'imbuto per rifornimento dell'acqua verso l'esterno per svuotare ulteriormente il sistema di risciacquo. Togliere il tappino sulla parte bassa dell'imbuto in modo che anche l'acqua pulita rimasta possa fuoriuscire dal serbatoio. A questo punto il sistema di risciacquo della toilette è completamente vuoto.

## PULIZIA E MANUTENZIONE

Le guarnizioni di tenuta del serbatoio di scarico, della valvola equilibratrice della pressione e del tappo devono essere pulite periodicamente. In caso di uso frequente, in generale effettuare la pulizia 1 volta al mese.

Si consiglia di pulire le guarnizioni di tenuta e la valvola di scarico, con il detergente Thetford per il bagno.

**Attenzione!** Non usare mai prodotti per uso domestico (cloro, solventi o altri detergenti aggressivi), che possono danneggiare permanentemente le guarnizioni ed altri componenti della toilette.

- Spruzzare nella toilette il detergente Thetford per il bagno.
- Sciacquare poi la tazza con acqua, e pulire il resto della toilette con un panno umido.

**Consiglio!** Per una toilette ancora più brillante, dopo la pulizia, asciugarla con un panno morbido ed asciutto.

- Asciugare accuratamente le guarnizioni e la valvola di scarico, applicarvi sopra olio d'oliva e poi pulirle con un pezzo di carta igienica. Ripetere queste operazioni ogni volta che le guarnizioni di tenuta e la valvola sono sporchi oppure quando non si riesce ad aprire e chiudere bene la valvola di scarico.

**Attenzione!** Non usare mai vaselina o altri oli vegetali, diversi dall'olio d'oliva, perché possono provocare delle perdite.

Quando la toilette non viene utilizzata per molto tempo, si consiglia di pulire le guarnizioni di tenuta e di trattarle leggermente con olio d'oliva. In questo modo le guarnizioni rimangono in un buono stato (morbide).

**N.B.** La guarnizione ad anello della valvola di scarico è un componente della toilette che è sottoposto a usura. A seconda della misura e del tipo di manutenzione, dopo un determinato periodo la sua funzione viene meno e deve essere sostituito.

## USO DELLA TOILETTE IN INVERNO

La toilette a cassetta Thetford può essere usata anche in inverno, quando la toilette si trova in un ambiente riscaldato. In caso contrario, esiste il pericolo di congelamento. In tal caso si consiglia di svuotare la toilette seguendo le istruzioni contenute nella sezione 'Stoccaggio'. Si sconsiglia l'uso di antigelo, ad esempio l'antigelo usato per il radiatore dell'automobile, in quanto nocivo per l'ambiente.

## GARANZIA THETFORD

Thetford B.V. offre una garanzia di due anni agli utenti finali dei propri prodotti. Durante questo periodo di garanzia, in caso di difetti, Thetford procederà alla sostituzione o riparazione del prodotto. Le spese per la sostituzione, la manodopera per la sostituzione di componenti difettosi e/o le spese dei componenti stessi saranno in tal caso sostenute da Thetford.

- Per poter fare uso di questa garanzia, l'utente deve portare il prodotto presso un centro d'assistenza Thetford autorizzato. Qui verrà preso in esame il reclamo.
- I componenti sostituiti in garanzia devono essere restituiti a Thetford.
- La legislazione per i consumatori vigente non viene modificata da questa disposizione di garanzia.

4. La garanzia non vale per prodotti che vengono utilizzati o sono intesi per scopi commerciali.
5. La garanzia sarà nulla in uno dei seguenti casi:
  - il prodotto è stato utilizzato in modo negligente oppure non si sono osservate le disposizioni contenute nel manuale;
  - il prodotto non è stato installato secondo le disposizioni;
  - il prodotto è stato modificato;
  - il prodotto è stato riparato da un Centro Assistenza non autorizzato da Thetford;
  - il numero di serie o il codice del prodotto sono stati modificati;
  - il prodotto ha subito dei danni perché usato al di fuori del normale utilizzo del prodotto stesso.

## ASSISTENZA AI CLIENTI

Per maggiori informazioni o quesiti sulla toilette si invita a visitare il nostro sito [www.thetford-europe.com](http://www.thetford-europe.com). Qui si trovano risposte alle domande più frequenti, problemi e soluzioni, istruzioni per la riparazione, consigli ed un elenco di concessionari Thetford. Se, nonostante tutto, avete ancora quesiti o osservazioni, vi invitiamo a contattare il reparto Assistenza Clienti nel vostro paese (gli indirizzi sono riportati sul retro del manuale).

## RESPONSABILITA'

Thetford non è responsabile per perdita e/o danni diretti o indiretti in seguito all'uso della toilette.

## P Instruções de utilização

As presentes instruções de utilização aplicam-se aos modelos C2, C3 e C4 das sanitas Cassette da Thetford. No que se refere à sua utilização, estes modelos diferem em alguns aspectos. Certifique-se de que segue as instruções que se aplicam ao modelo da sanita que adquiriu.

Os componentes e funções assinalados por meio de letras correspondem aos desenhos que se encontram no final deste manual, numa folha desdobrável.

Os procedimentos a seguir, assinalados por meio de números, encontram-se no início destas instruções, numa folha desdobrável.

### COMPONENTES E FUNÇÕES C2

- a. Botão do autoclismo e da lâmina da válvula - abre e fecha a lâmina da válvula e bombeia água para a sanita através de uma bomba eléctrica
- b. Assento e tampa amovíveis
- c. Compartimento para papel higiénico - mantém o papel limpo e seco
- d. Suporte para papel higiénico
- e. Indicador do nível dos dejectos - indica quando o depósito de dejectos se encontra cheio
- f. Chapa colectora - recolhe as gotas de água que vertem da caixa de descarga quando o depósito de dejectos é retirado
- g. Compartimento para armazenamento de líquidos de limpeza para sanitas (apenas no modelo de gama alta)
- h. Trinco de segurança - evita que o depósito de dejectos saia da posição correcta
- i. Mangueira de descarga - serve também de indicador do nível da caixa de descarga de água
- j. Funil da caixa de descarga de água - roda para fora, destinado a facilitar o enchimento da caixa de descarga de água
- k. Placa de vedação - garante a máxima higiene Abre quando o depósito de dejectos é introduzido na sanita e fecha quando o depósito de dejectos é retirado da sanita.
- l. Dispositivo para abrir a lâmina da válvula
- m. Lâmina da válvula / borracha da válvula
- n. Botão do orifício de ventilação - para esvaziar o depósito de dejectos sem salpicos
- o. Pegas superiores - para segurar e esvaziar facilmente o depósito
- p. Orifício de libertação automática da pressão - liberta a pressão no interior do depósito de dejectos quando introduzido na sanita Cassette Ajuda a evitar o excesso de pressão no interior do depósito de dejectos.
- q. Pega
- r. Tubo de descarga rotativo - garante um esvaziamento fácil e higiénico do depósito de dejectos
- s. Porta de acesso ao depósito de dejectos e funil da caixa de descarga de água - tranca do lado de fora do veículo

### COMPONENTES E FUNÇÕES C3

- a. Botão do autoclismo e da lâmina da válvula - abre a válvula e acciona a bomba eléctrica do seu veículo
- b. Assento e tampa amovíveis
- c. Compartimento para papel higiénico - mantém o papel limpo e seco

- d. Suporte para papel higiénico
- e. Indicador do nível dos dejectos - indica quando o depósito de dejectos se encontra cheio
- f. Chapa colectora - recolhe as gotas de água que vertem da caixa de descarga quando o depósito de dejectos é retirado
- g. Compartimento para armazenamento de líquidos de limpeza para sanitas (apenas no modelo de gama alta)
- h. Trinco de segurança - evita que o depósito de dejectos saia da posição correcta
- i. Dispositivo para abrir a lâmina da válvula
- j. Placa de vedação - garante a máxima higiene Abre quando o depósito de dejectos é introduzido na sanita.
- k. Lâmina da válvula / borracha da válvula
- l. Botão do orifício de ventilação - para esvaziar o depósito de dejectos sem salpicos
- m. Orifício de libertação automática da pressão - liberta a pressão no interior do depósito de dejectos quando introduzido na sanita Cassette Ajuda a evitar o excesso de pressão no interior do depósito de dejectos.
- n. Pegas superiores - para segurar e esvaziar facilmente o depósito
- o. Pega
- p. Tubo de descarga rotativo - garante um esvaziamento fácil e higiénico do depósito de dejectos
- q. Porta de acesso ao depósito de dejectos e funil da caixa de descarga de água - tranca do lado de fora do veículo

### COMPONENTES E FUNÇÕES C4

- a. Lâmina da válvula - abre e fecha a lâmina da válvula
- b. Assento e tampa amovíveis
- c. Botão do autoclismo
- d. Indicador do nível dos dejectos - indica quando o depósito de dejectos se encontra cheio
- e. Trinco de segurança - evita que o depósito de dejectos saia da posição correcta
- f. Compartimento para armazenamento de líquidos de limpeza para sanitas (apenas no modelo de gama alta)
- g. Mangueira de descarga da caixa de descarga de água
- h. Mangueira de descarga - serve também de indicador do nível da caixa de descarga de água
- i. Funil da caixa de descarga de água - roda para fora, destinado a facilitar o enchimento da caixa de descarga de água
- j. Dispositivo para abrir a lâmina da válvula
- k. Placa de vedação - garante a máxima higiene Abre quando o depósito de dejectos é introduzido na sanita e fecha quando o depósito de dejectos é retirado da sanita.
- l. Lâmina da válvula / borracha da válvula
- m. Botão do orifício de ventilação - para esvaziar o depósito de dejectos sem salpicos
- n. Orifício de libertação automática da pressão - liberta a pressão no interior do depósito de dejectos quando introduzido na sanita Cassette Ajuda a evitar o excesso de pressão no interior do depósito de dejectos.
- o. Pegas superiores - para segurar e esvaziar facilmente o depósito
- p. Pega
- q. Tubo de descarga rotativo - garante um esvaziamento fácil e higiénico do depósito de dejectos
- r. Porta de acesso ao depósito de dejectos e funil da caixa de descarga de água - tranca do lado de fora do veículo

## INTRODUÇÃO

A sanita Cassette da Thetford é um produto de qualidade. A sua concepção funcional alia o design moderno ao máximo conforto, o que possibilita uma excelente integração da sanita na casa de banho da sua roulotte ou caravana de campismo. A sanita Cassette foi fabricada em PVC de alta qualidade com acabamento de alto brilho. Daí que se trate de uma sanita resistente, fácil de utilizar e que requer um mínimo de manutenção.

A sanita é constituída por duas partes: uma sanita fixa e um depósito de dejectos amovível, acessível do exterior. O depósito de dejectos amovível encontra-se por baixo da sanita, podendo ser retirado através de uma porta situada na parte exterior da roulotte ou caravana de campismo.

A sanita Cassette da Thetford constitui a solução indicada para resolver as questões sanitárias em roulettes ou caravanas de campismo.

## PREPARATIVOS PARA A UTILIZAÇÃO

Os pontos 1 a 3 aplicam-se apenas aos modelos C2 e C4, se adquiriu uma sanita Cassette C3 (ligada ao sistema central de abastecimento de água da sua roulotte ou caravana de campismo), poderá começar pelo ponto 4.

### C2 e C4

1. Abra a porta de acesso na parte exterior da sua roulotte ou caravana de campismo e rode o funil da caixa de descarga de água para fora. Retire a tampa.
2. Adicione a quantidade indicada de líquido de limpeza para sanitas Thetford na caixa de descarga de água com a ajuda do funil. Este produto ajuda a manter a água limpa e melhora a limpeza obtida com a descarga do autoclismo. A seguir encha a caixa de descarga de água com água da torneira limpa.
3. Volte a enroscar a tampa do funil da caixa de descarga de água. Rode agora o funil da caixa de descarga de água para dentro, na direcção da parte lateral da caixa de descarga de água.  
**Observação:** Quando a caixa de descarga de água ficar vazia, o funil contém ainda 150 ml de água.

### C2, C3 e C4

4. Retire o depósito de dejectos, pressionando o trinco de segurança para baixo.
5. Puxe o depósito de dejectos para fora até ao batente. Incline-o um pouco e tire o depósito completamente para fora.
6. Endireite o depósito e rode o tubo de descarga para cima.
7. Rode a tampa do tubo de descarga, com o copo doseador na parte interior, e deite a quantidade indicada de aditivo para casa de banho Thetford no depósito de dejectos. Este produto estimula a decomposição dos dejectos, elimina odores desagradáveis e mantém o interior do depósito limpo. Em seguida adicione cerca de 2 litros de água, até o fundo do depósito ficar completamente coberto. Volte, então, a fechar a tampa do tubo de descarga, rodando no sentido inverso. Rode o tubo de descarga para a posição inicial.

**NOTA:** A tampa do tubo de descarga encontra-se na mesma embalagem que as presentes instruções de utilização.

**Aviso!** Nunca adicione aditivo através da lâmina da válvula ou da sanita. Dentro do depósito os líquidos são imediatamente misturados com água.

8. Introduza o depósito novamente na posição inicial através da porta.  
**Atenção!** Nunca empurre o depósito com força se não conseguir posicioná-lo correctamente. Poderá causar danos graves ao equipamento.
9. Certifique-se de que o depósito fica correctamente fixo através do trinco de segurança. Feche a porta de acesso à chave.

## UTILIZAÇÃO

O ponto 10 aplica-se apenas aos modelos Cassette C2 e C3. Se adquiriu uma sanita Cassette modelo C4, passe directamente para o ponto 11.

### C2 e C3

10. Deixe correr um pouco de água na sanita, carregando no botão do autoclismo ou abra a válvula puxando o manípulo da válvula para si. A sanita Thetford está agora pronta a utilizar.

### C4

11. Deixe correr um pouco de água na sanita, rodando o botão do autoclismo para a direita, ou abra a válvula puxando o manípulo da válvula para si. A sanita Thetford está agora pronta a utilizar.

### C2, C3 e C4

12. Após a utilização, abra a lâmina da válvula (se ainda estiver fechada) rodando a lâmina da válvula (C4) / botão do autoclismo (C2 e C3) para a esquerda. Puxe o autoclismo, rodando o botão do autoclismo para a direita (C4) ou carregando no botão do autoclismo (C2 e C3). Após a utilização, feche a lâmina da válvula.  
**Atenção!** Não deixe ficar água na sanita se deixar de a utilizar. Poderão surgir odores desagradáveis e mesmo uma inundação.

### C2 e C3

13. O papel higiénico mantém-se seco e limpo no compartimento encastrado concebido especialmente para esse efeito. O rolo de papel higiénico pode ser fixado na parede com a ajuda do suporte especial fornecido.
14. Colocar um novo rolo: Retire o suporte de papel higiénico do compartimento segurando-o pela tampa. Segure a parte inferior do suporte com uma mão e a tampa com outra. Rode-os em sentido contrário até ouvir um click. Separe as duas partes. Coloque um novo rolo. Segure o suporte e a tampa com ambas as mãos e encaixe-os. Rode novamente em sentido inverso até ficarem trancados. Para evitar entupimentos, aconselhamos a utilização de papel higiénico de decomposição rápida Aqua Soft.

## ESVAZIAMENTO

O depósito de dejectos tem capacidade para 20 litros. Deve ser esvaziado o mais tardar quando o indicador do nível mudar de verde para vermelho. Recomendamos que esvazie o depósito antes disso. O indicador de nível de dejectos começa a deslocar-se da zona verde para a zona vermelha quando o depósito se enche demasiado.

**Atenção!** Não deixe o depósito ficar demasiado cheio.

15. Certifique-se de que a válvula está fechada. Abra a porta de acesso situada na parte exterior do veículo. Pressione o trinco de segurança para baixo e tire o depósito de dejectos para fora.
16. Esvazie o depósito, segurando-o pelas pegas, para dentro de uma sanita normal ou num local de deposição de resíduos. Coloque o depósito de dejectos no chão, na posição vertical, e rode o tubo de descarga para cima.
17. Retire a tampa do tubo de descarga. Segure o depósito de dejectos pela pega superior mais próxima do tubo de descarga. Segure a pega traseira com a outra mão para que o botão do orifício de ventilação possa ser manipulado com o polegar. Mantenha o botão do orifício de ventilação premido enquanto estiver a esvaziar o depósito.  
**Atenção!** Carregue no botão do orifício de ventilação apenas quando o tubo de descarga estiver virado para baixo!  
Deste modo, o depósito pode ser esvaziado sem salpicos. Após o esvaziamento, enxágue bem o depósito com água. Lave também a válvula com água.
18. Se necessário, repita os preparativos para utilização da sanita. Introduza o depósito de dejectos na sanita e feche a porta de acesso.

## ARMAZENAMENTO

Se não pretender utilizar a sanita Thetford por um período prolongado, é importante seguir as instruções abaixo.

As instruções que se seguem aplicam-se apenas ao modelo Cassette C3. Se adquiriu o modelo Cassette C2 ou C4, passe para as instruções dos pontos 19, 20 e 21.

### C3

Se adquiriu uma sanita Cassette C3 e se não utilizar a sanita no Inverno, siga o procedimento indicado para preparar a sua roulotte ou caravana de campismo para o Inverno: Antes de descarregar o sistema central de abastecimento de água, abra a válvula magnética da sanita Cassette, carregando no botão do autoclismo. Mantenha o botão premido (ou coloque um objecto pesado por cima do botão do autoclismo) enquanto estiver a descarregar o sistema de abastecimento de água.

### C2 e C4

19. Esvazie a caixa de descarga de água completamente com a ajuda da mangueira de descarga que funciona simultaneamente como indicador do nível da caixa de descarga de água. Retire a mangueira de descarga/indicador do nível da argola de fixação e puxe-a para baixo, afastando-a do batente superior. Rode a mangueira de descarga para fora através do vão da porta até escoar a água.

### C4

20. Accione a descarga de água várias vezes manualmente, até o mecanismo de descarga ficar vazio.

### C2 e C4

21. Rode o funil de água para fora, para continuar a esvaziar o



sistema de descarga. Retire a tampa situada na parte inferior do funil da caixa de descarga de água, de modo a libertar a restante água da caixa de descarga de água. O sistema de descarga da sanita estará, então, completamente vazio.

## LIMPEZA E MANUTENÇÃO

As juntas do depósito de dejectos, do orifício de libertação automática da pressão e da tampa devem ser limpas regularmente. Em caso de utilização frequente, uma limpeza mensal é geralmente suficiente.

Aconselhamos uma limpeza das juntas e da válvula com um produto de limpeza Thetford para casas de banho.

**Atenção!** Nunca utilize produtos de uso doméstico (cloro, solventes ou outros produtos de limpeza agressivos). Estes podem provocar danos irreversíveis às juntas e outros componentes da sanita.

- Pulverize a sanita com um produto da Thetford para casas de banho.
- Enxagüe com água e limpe o resto da sanita com um pano húmido.  
**Sugestão!** Para dar mais brilho à sanita, seque-a, após a limpeza, com um pano seco e macio.
- Seque cuidadosamente as juntas e a válvula, unte-as com azeite e esfregue com um pano ou papel higiénico. Repita o procedimento acima descrito se as juntas e a válvula estiverem muito sujas ou se a válvula abrir com dificuldade.  
**Atenção!** Nunca utilize vaselina ou outros óleos vegetais que não o azeite. Poderá dar origem a fugas.

Se não utilizar a sanita durante muito tempo, recomendamos que limpe as juntas e as trate com azeite. Desta forma, as juntas mantêm-se em bom estado (elásticas).

**NOTA:** O anel de vedação da válvula é um componente da sanita que está sujeito ao desgaste. Dependendo da frequência e qualidade da manutenção, a eficácia do anel de vedação diminui após um determinado período de tempo, sendo necessário substituí-lo.

## UTILIZAÇÃO NO INVERNO

A sanita Cassette Thetford pode ser utilizada normalmente em tempo frio desde que a sanita se encontre em ambiente aquecido. Se tal não for possível, existe risco de congelamento. Neste caso aconselhamos o esvaziamento da sanita seguindo as instruções contidas no capítulo "Armazenamento".

Não se aconselha a utilização de um anticongelante como, por exemplo, os que se utilizam para os radiadores dos automóveis, devido aos efeitos nocivos para o meio ambiente.

## GARANTIA THETFORD

A Thetford B.V. oferece aos consumidores finais dos seus produtos uma garantia de dois anos. Dentro deste período de garantia, a Thetford, em caso de avarias, procederá à substituição ou reparação do produto. Neste caso, os custos relacionados com a substituição, mão-de-obra e substituição de peças defeituosas e/ou custos das próprias peças são suportados pela Thetford.

1. A presente garantia será válida apenas se o consumidor levar o produto a um centro de assistência técnica autorizado pela Thetford. Aqui será avaliado o direito de garantia.

2. No caso de, durante a reparação, serem substituídas peças cobertas pela garantia, as respectivas peças tornam-se propriedade da Thetford.
3. A presente cláusula de garantia não prejudica a legislação relativa aos direitos do consumidor em vigor.
4. A garantia não abrange produtos utilizados para fins comerciais.
5. A garantia perde a sua validade nos seguintes casos:
  - se o produto for utilizado de forma incorrecta e/ou se não forem respeitadas as instruções contidas neste manual
  - se o produto não for instalado em conformidade com as instruções;
  - se o produto tiver sido alterado;
  - se o produto for reparado por um serviço de assistência técnica não autorizado pela Thetford;
  - se o número de série ou o código do produto forem alterados;
  - se o produto sofrer danos que tenham sido originados pelo facto de o equipamento ter sido utilizado para outro fim, que não aquele a que se destina.

## SERVIÇO DE ASSISTÊNCIA TÉCNICA

Para mais informações ou dúvidas acerca da sanita, consulte a nossa página Web no endereço [www.thetford-europe.com](http://www.thetford-europe.com). Entre outras informações, encontrará perguntas e problemas frequentes, soluções, instruções de reparação, sugestões e uma lista dos representantes da Thetford para a sua área de residência. Se apesar disso tiver dúvidas ou observações, entre em contacto com o serviço de Assistência Técnica do seu país (ver endereços no final deste manual).

## RESPONSABILIDADE

A Thetford não se responsabiliza por perdas e/ou danos resultantes directa ou indirectamente da utilização da sanita.

## N Brukerveiledning

Denne brukerveiledningen gjelder modellene C2, C3 og C4 av Thetford Cassettetoiletet. Disse modellene er forskjellige i bruk på enkelte punkter. Pass derfor på at du følger instruksjonene som gjelder ditt toalett.

Delene og funksjonene som bokstavene viser til, er kartlagt i en foldeside bakerst i denne brukerveiledningen.

Handlingene som skal utføres som tallene viser til, er beskrevet i en foldeside forrest i denne brukerveiledningen.

## DELER OG FUNKSJONER C2

- a. Knapp for spyling og åpning av ventilbladet. Åpner og lukker ventilbladet. Spylar også vann inn i toalettskålen ved hjelp av en elektrisk pumpe.
- b. Avtakbart sete og lokk.
- c. Beholder for toalettspapir; holder toalettspapiret rent og tørt.
- d. Monteringsbrakett for veggoppheng av toalettspapir.
- e. Nivåindikator for avfallstanken. Angir når avfallstanken må tømmes.
- f. Dryppskål. Samler opp dråper fra toalettskålen når tanken er tatt ut.
- g. Beholder for toalettspylevæske (kun på høye modeller).
- h. Låseanordning for avfallstanken, holder tanken i låst stilling.
- i. Dreneringsslange, også nivåindikator for vanntanken.
- j. Vannpåfyllingsrør. Kan svinges ut for enkel påfylling av vanntanken.
- k. Skyvelokk. Åpnes og lukkes automatisk når du skyver avfallstanken inn og ut. Sikrer optimal hygiene.
- l. Ventilbladåpner.
- m. Ventilblad / bladetning.
- n. Lufteventil. Sørger for jevn tømning uten spruting.
- o. Øvre bærehåndtak, gjør det enkelt å bære og tømme tanken.
- p. Automatisk lufting for avfallstanken. Lufte avfallstanken når den er satt inn i toalettet. Dette forhindrer overtrykk i avfallstanken.
- q. Håndtak.
- r. Dreibart tømmørør, for enkel tømning av tanken.
- s. Serviceluke. Låses fra campingvognens utside.

## DELER OG FUNKSJONER C3

- a. Knapp for spyling og åpning av ventilbladet; åpner ventillokket og betjener elektrisk pumpe av kjøretøyet ditt.
- b. Avtakbart sete og lokk.
- c. Beholder for toalettspapir; holder toalettspapiret tørt og rent.
- d. Monteringsbrakett for veggoppheng av toalettspapir.
- e. Nivåindikator for avfallstanken. Angir når avfallstanken må tømmes.
- f. Dryppskål. Samler opp dråper fra toalettskålen når tanken er tatt ut.
- g. Beholder for toalettspylevæske (kun på høye modeller).
- h. Låseanordning for avfallstanken, holder tanken i låst stilling.
- i. Ventilbladåpner.
- j. Skyvelokk. Åpnes automatisk når du skyver avfallstanken inn og ut. Sikrer optimal hygiene.
- k. Ventilblad / bladetning.
- l. Lufteventil. Sørger for jevn tømning uten spruting.
- m. Automatisk lufting for avfallstanken. Lufte avfallstanken når den er satt inn i toalettet. Dette forhindrer overtrykk i avfallstanken.

- n. Øvre bærehåndtak, gjør det enkelt å bære og tømme tanken.
- o. Håndtak.
- p. Dreibart tømmørør, for enkel tømning av tanken.
- q. Serviceluke. Låses fra campingvognens utside.

## DELER OG FUNKSJONER C4

- a. Knapp for spyling og åpning av ventilbladet; åpner og lukker ventilbladet.
- b. Avtakbart sete og lokk.
- c. Spyleknapp.
- d. Nivåindikator for avfallstanken. Angir når avfallstanken må tømmes.
- e. Låseanordning for avfallstanken, holder tanken i låst stilling.
- f. Beholder for toalettspylevæske (kun på høye modeller).
- g. Dreneringsslange for vanntanken.
- h. Dreneringsslange samtidig nivåindikator for vanntanken.
- i. Vannpåfyllingsrør. Kan svinges ut for enkel påfylling av vanntanken.
- j. Ventilbladåpner.
- k. Skyvelokk. Åpnes og lukkes automatisk når du skyver avfallstanken inn og ut. Sikrer optimal hygiene.
- l. Ventilblad / ventilbladspakning.
- m. Lufterventil. Sørg for jevn tømning uten spruting.
- n. Automatisk lufting for avfallstanken. Lufter avfallstanken når den er satt inn i toalettet. Dette forhindrer overtrykk i avfallstanken.
- o. Øvre bærehåndtak, gjør det enkelt å bære og tømme tanken.
- p. Håndtak.
- q. Dreibart tømmørør, for enkel tømning av tanken.
- r. Serviceluke. Låses fra campingvognens utside.

## INNLEDNING

Med Thetford Cassettetoalettet har du et kvalitetsprodukt. Ved hjelp av den funksjonelle formgivningen blir moderne design og brukervennlighet kombinert og utgjør toalettet en integrert del av badet i din campingvogn eller bil. Cassettetoalettet er laget av høyverdig kvalitet plast med en svært blank overflatebehandling. Dette gjør toalettet holdbart, bruker- og vedlikeholdsvennlig.

Enheten består av to deler: et fastmontert toalett og en fra utsiden avtakbar avfallstank. Den avtakbare avfallstanken befinner seg under toalettet og kan fjernes fra utsiden av campingvognen eller bilen via en dør.

Thetford Cassettetoalettet er løsningen for det sanitære problemet i campingvognen eller bilen din!

## FORBEREDELSE FØR BRUK

Punkt 1 t.o.m. 3 gjelder bare modellene C2 og C4, dersom du har et Cassettetoalett C3 (tilsluttet det sentrale vannsystemet i campingvognen eller bilen) kan du begynne ved punkt 4.

## C2 og C4

1. Åpne servicelukeen på utsiden av campingvognen eller bilen og vri vannpåfyllingsrøret ut. Fjern lokket.
2. Fyll den angitte mengden Thetford toalettspylevæske via vannpåfyllingsrøret i vanntanken. Dette sørger for en bedre og renere skylling og holder vannet i spyletanken friskt. Full deretter vanntanken med rent kranvann.

3. Skru lokket på vannpåfyllingsrøret. Vri nå vannpåfyllingsrøret tilbake inntil siden av vanntanken.  
**Merk:** Det vil være 150 ml vann igjen i vannpåfyllingsrøret når vanntanken er tom.

## C2, C3 og C4

4. Fjern avfallstanken ved å trykke låseanordningen ned.
5. Trekk avfallstanken ut frem til stopperen. Tipp den litt ned og ta tanken helt ut.
6. Sett tanken rett opp og vri vannpåfyllingsrøret opp.
7. Vri lokket, med på innsiden målebegeret, av vannpåfyllingsrøret og hell den angitte mengden Thetford toalettspylevæske i avfallstanken. Dermed vil avfallsstoffer brytes fortere ned, forhindres vondt lukt i avfallstanken og holdes innsiden av avfallstanken ren. Føy deretter til cirka 2 liter vann, slik at bunnen i avfallstanken er fullstendig dekket. Vri heretter målebegeret tilbake på plass på vannpåfyllingsrøret. Vri vannpåfyllingsrøret tilbake i begynnerposisjonen.  
**N.B.:** Lokket til vannpåfyllingsrøret befinner seg ved avlevering i den samme forpakningen som denne brukerveiledningen.  
**Advarsel!** Tilsett aldri toalettspylevæske via ventilbladet eller toalettskålen. I avfallstanken blir dette øyeblikkelig blandet med vann.
8. Skyv avfallstanken tilbake i original posisjon via serviceluke.  
**Merk!** Dytt aldri tilbake avfallstanken med makt dersom den ikke vil på plass. Dette kan føre til alvorlige skader.
9. Sørg for at avfallstanken er låst med låseanordningen. Lukk og lås servicelukeen.

## BRUK

Punkt 10 gjelder Cassettetoalettet C2 og C3. Har du et Cassettetoalett C4, gå da ut fra punkt 11.

## C2 og C3

10. La litt vann renne i toalettskålen ved å trykke på spyleknappen eller åpne ventilbladet ved å trekke skyvehendelen under toalettskålen mot deg. Du kan nå bruke ditt Thetford toalett.

## C4

11. La litt vann renne i toalettskålen ved å vri spyleknappen til høyre eller åpne ventilbladet ved å trekke skyvehendelen under toalettskålen mot deg. Du kan nå bruke ditt Thetford toalett.

## C2, C3 og C4

12. Etter bruk åpner du ventilbladet (dersom dette fortsatt er lukket) ved å vri ventilbladet (C4) / spyleknappen (C2 og C3) til venstre. Du spylar toalettet ved å vri spyleknappen til høyre (C4) eller ved å trykke på spyleknappen (C2 og C3). Lukk ventilbladet etter bruk.

**Merk!** La det ikke bli igjen vann i toalettskålen dersom toalettet ikke blir brukt. Dette hjelper ikke til å redusere vond lukt og kan kun føre til overstrømming.

## C2 og C3

13. Toalettspylevæske holdes tørt og rent i den spesielt til dette bruket integrerte beholderen. Toaletttrull kan også monteres til veggen ved hjelp av den spesielt til dette bruket leverte toaletttrullholderen.

14. Sette i en ny toaletttrull: ta toaletttrullholderen med lokket ut av holderen. Hold holderen fast på undersiden med den ene hånden og lokket med den andre hånden. Vri delene i motsatt retning til du hører et klikk. Dra delene fra hverandre. Putt i en ny toaletttrull. Vri dem i motsatt retning tilbake på plass til du hører et klikk. For å forhindre forstoppelse av toalettet anbefaler vi å bruke Aqua Soft hurtig oppløsende toalettspylevæske.

## TØMME AVFALLSTANKEN

Avfallstanken har et innhold på 20 liter. Denne må senest tømmes når nivåindikatoren har gått fra grønt til fullstendig rødt. Anbefalt er å tømme tanken tidligere. Nivåindikatoren begynner først å bevege seg fra grønt til rødt når tanken er  $\frac{3}{4}$  full.

**Merk!** Ikke la avfallstanken bli for full.

15. Sørg for at ventilbladet er lukket. Åpne servicelukeen på utsiden av kjøretøyet. Trykk låseanordningen ned og fjern avfallstanken.
16. Bær tanken ved hjelp av håndtakene til et normalt toalett eller godkjent sted for avfallsdeponering. Sett avfallstanken loddrett på gulvet og vri tømmørøret opp.
17. Fjern lokket fra tømmørøret. Hold avfallstanken i det øvre håndtaket som befinner seg nærmest tømmørøret. Hold det bakre håndtaket med den andre hånden slik at knappen til lufterventilen kan betjenes med tommelen ved tømning. Hold knappen til lufterventilen inntrykket mens tanken tømmes.  
**Merk!** knappen til lufterventilen skal først trykkes inn når tømmørøret peker ned! Slik kan tanken tømmes uten søl. Skyll tanken godt med vann etter tømning. Rens også ventilbladet med vann.
18. Gjør toalettet klar for bruk igjen dersom dette er nødvendig. Skyv avfallstanken tilbake i toalettet og lukk servicelukeen.

## LAGRING

Dersom du ikke skal bruke ditt Thetford toalett i lengre tid er det viktig at du følger nedenforstående instruksjoner.

Den følgende teksten gjelder kun Cassettetoalett C3. Dersom du har et Cassettetoalett C2 eller C4, følg da instruksjonene under punkt 19, 20 og 21.

## C3

Har du et Cassettetoalett C3 og toalettet blir ikke brukt på vinteren, følg da prosedyren for å vinterklargjøre campingvognen eller bilen din: Før du tapper det sentrale vannsystemet åpner du magnetventilen til Cassettetoalettet ved å trykke på spyleknappen. Hold knappen inntrykket (eller plasser noe tungt på spyleknappen) mens vannsystemet tappes for vann.

## C2 og C4

19. Tøm vanntanken og nivåindikatoren helt for vann. Fjern dreneringsslangen / nivåindikatoren fra monteringsbøylen og dra denne ned fra overstopperen. Vri dreneringsslangen ut gjennom servicelukeen slik at vannet renner ut.

## C4

20. Skyld på et par ganger for hånd, slik at spylemekanismen er tørt.

## C2 og C4

21. Vri vannpåfyllingsrøret ut for videre tømming av spylesystemet. Fjern lokket på undersiden av vannpåfyllingsrøret, slik at det resterende spylevannet kan renne ut av vanntanken. Spylesystemet til ditt toalett er nå helt tomt.

## RENGJØRING OG VEDLIKEHOLD

Tetningen til avfallstanken, den automatiske luftingen og lokket må rengjøres regelmessig. Ved regelmessig bruk er 1 gang i måneden som regel nok.

Vi anbefaler å rengjøre tetningen og ventilbladet med Thetford rengjøring for bad.

**Merk!** Bruk aldri husholdningsvaskemidler (klor, løsemidler eller andre kraftige rengjøringsmidler). Disse kan forårsake blivende skade på tetningen og andre deler av toalettet.

- Sprut Thetford rengjøring for bad på toalettet.
- Skyll deretter toalettskålen med vann, tørk deretter resten av toalettet med en fuktig klut.
- Tips!** For et ekstra skinnende toalett tørker du av toalettet med en tørr klut etter rengjøring.
- Tørk grundig av tetningen og bladet, gni dem inn med olivenolje og tørk deretter av med en klut eller toalett papir. Gjenta ovenforstående handlinger dersom tetningen eller ventilbladet er skitne eller dersom det blir tyngre å åpne og lukke ventilbladet.

**Merk!** Bruk aldri vaselin eller andre vegetabiliske oljer enn olivenolje. Disse kan forårsake lekkasje.

Dersom toalettet skal stå ubrukt over lang tid er det lurt å rense tetningene og behandle dem med olivenolje. Tetningene holder seg da bedre (smidige).

**N.B.** Tetningen til ventilbladet er en del av toalettet som utsettes for slitasje. Avhengig av hvor ofte og godt dette blir vedlikeholdt, vil funksjonen avta etter en viss tid og må tetningen byttes ut.

## BRUK I VINTERHALVÅRET

Du kan bruke ditt Thetford Cassettetoalett som vanlig selv om det er kaldt, såfremt toalettet står i en oppvarmet omgivelse. Dersom dette ikke er tilfelle, kan det oppstå forfrysninger. I det tilfelle anbefaler vi å tappe toalettet ved å følge instruksjonene under "Lagring".

Bruk av fryseveske, slik som for eksempel brukes i radiatoren på en bil, anbefales ikke på grunn av miljøbelastningen dette medfører.

## THETFORD GARANTI

Thetford B.V. gir den opprinnelige kjøperen en garanti på to år fra kjøpsdatoen. Innenfor dette tidsrommet vil Thetford, dersom det oppstår defekter, bytte ut eller reparere produktet. Kostnadene for utbytting, arbeidslønn for utskifting av de defekte delene og/eller kostnader for delene tilfaller i dette tilfelle Thetford.

1. For å kunne benytte seg av denne garantien må brukeren benytte seg av et Service Senter som er godkjent av Thetford. Her vil garantikravet bli vurdert.
2. Dersom det er nødvendig å skifte ut deler av produktet under garantiperioden, vil disse delene bli eiendom av Thetford.

3. Gjeldende konsumentlovgivning vil ikke bli berørt av denne garantibestemmelsen.
4. Denne garantien gjelder ikke dersom produktet blir eller har vært brukt til kommersielle formål.
5. Ethvert garantikrav vil forfalle dersom en av de følgende situasjonene har oppstått:
  - produktet har blitt brukt skjodesløst eller forskriftene i brukerveiledningen er ikke fulgt;
  - produktet er ikke installert i følge forskriftene;
  - det har blitt anbrakt forandringer på produktet;
  - produktet er ikke reparert av et av Thetford godkjent Service Senter;
  - serienummeret eller koden til produktet er endret;
  - skade på produktet som har oppstått på annen måte enn ved normalt bruk av produktet.

## KUNDESERVICE

Se for mer informasjon eller spørsmål omtrent ditt toalett på vår Web-side, [www.thetford-europe.com](http://www.thetford-europe.com). Her finner du blant annet ofte stilte spørsmål, problemer og løsninger, reparasjonsinstruksjoner, tips og en liste med Thetford forhandlere i nærheten av der du bor. Har du likevel spørsmål eller bemerkninger, ta da kontakt med kundeservice avdelingen i ditt land (se adresser bakpå denne brukerveiledningen).

## ANSVAR

Thetford er ikke ansvarlig for tap og/eller skade som direkte eller indirekte følger av bruk av toalettet.

SF

## Käyttöohje

Tässä käyttöohjeessa esitellään Thetfordin Cassette-käymälämallien C2, C3 ja C4 toteutusta. Näiden mallien toteutus ja käyttö eroavat toisistaan joissakin kohdissa. Sen takia on tärkeää noudattaa juuri omalle käymälälle tarkoitettuja ohjeita.

Ne käymälän osat ja toiminnot, joihin viitataan kirjaimin, on kuvattu tämän käyttöohjeen lopussa olevassa taitteessa.

Ne toimenpiteet, joihin viitataan numeroin, on kuvattu tämän käyttöohjeen alussa olevassa taitteessa.

## C2:N OSAT JA TOIMINNOT

- a. Huuhtelu- ja liukukansinappi, avaa ja sulkee liukukannen ja pumppaa vettä WC-pyttyyn sähköpumpulla.
- b. Irrotettava istuinosa ja kansi.
- c. WC-paperilokero, pitää paperin kuivana ja puhtaana.
- d. WC-paperirullan seinäpidin.
- e. Jätesäiliön pinnanosoitin, näyttää milloin säiliö on täynnä.
- f. Tippakuppi, kerää huuhteluveden tipat kun jätesäiliö on poissa paikaltaan.
- g. WC-nesteiden varastolokero (vain korkeassa mallissa).
- h. Puristin, pitää jätesäiliön paikallaan.
- i. Vedenpoistoletku, toimii samalla huuhteluvesisäiliön pinnanosoittimena.
- j. Täyttösuppilo, kiertyy ulos vesisäiliön täyten helpottamiseksi.
- k. Suojalevy, takaa parhaan mahdollisen hygienian. Avautuu, kun jätesäiliö asetetaan käymälään ja sulkeutuu, kun jätesäiliö otetaan sieltä pois.
- l. Liukukannen avaaja.
- m. Liukukansi / kumitiiviste.
- n. Paineenvapautusnappi, estää roiskumisen tyhjentämisen aikana.
- o. Tartuntakahvat, helpottavat kantamista ja tyhjentämistä.
- p. Automaattinen ylipaineventtiili, poistaa ilman jätesäiliöstä kun se on asetettu Cassette-käymälään. Estää ylipaineen muodostumisen jätesäiliöön.
- q. Kahva.
- r. Kääntyvä tyhjennysputki, tekee jätesäiliön tyhjentämisestä helppoa ja hygieenistä.
- s. Jätesäiliön ja täyttösuppilon huoltoluukku, voidaan lukita ajoneuvon ulkopuolelta.

## C3-MALLIN OSAT JA TOIMINNOT

- a. Huuhtelu- ja liukukansinappi, avaa venttiilin läpän ja ohjaa ajoneuvon sähköpumppua.
- b. Irrotettava istuinosa ja kansi.
- c. WC-paperilokero, pitää paperin kuivana ja puhtaana.
- d. WC-paperirullan seinäpidin.
- e. Jätesäiliön pinnanosoitin, näyttää milloin säiliö on täynnä.
- f. Tippakuppi, kerää huuhteluveden tipat kun jätesäiliö on poissa paikaltaan.
- g. WC-nesteiden varastolokero (vain korkeassa mallissa).
- h. Puristin, pitää jätesäiliön paikallaan.
- i. Liukukannen avaaja.
- j. Suojalevy, takaa parhaan mahdollisen hygienian. Avautuu, kun jätesäiliö asetetaan käymälään.

- k. Liukukansi / kumitiivist.
- l. Paineenvapautusnappi, estää roiskumisen tyhjentämisen aikana.
- m. Automaattinen ylipaineventtiili, poistaa ilman jätessäiliöstä kun se on asetettu Cassette-käymälään. Estää ylipaineen muodostumisen jätessäiliöön.
- n. Tartuntakahvat, helpottavat kantamista ja tyhjentämistä.
- o. Kahva.
- p. Kääntyvä tyhjennysputki, tekee jätessäiliön tyhjentämisestä helppoa ja hygieenistä.
- q. Jätessäiliön ja täyttösuppilon huoltoluukku, voidaan lukita ajoneuvon ulkopuolelta.

## C4-MALLIN OSAT JA TOIMINNOT

- a. Liukukansi, avaa ja sulkee liukukannen.
- b. Irrotettava istuinosa ja kansi.
- c. Huuhtelunappi.
- d. Jätessäiliön pinnanosoitin, näyttää milloin säiliö on täynnä.
- e. Puristin, pitää jätessäiliön paikallaan.
- f. WC-nesteiden varastolokero (vain korkeassa mallissa).
- g. Huuhteluvesisäiliön vedenpoistoletku.
- h. Vedenpoistoletku, toimii samalla huuhteluvesisäiliön pinnanosoittimena.
- i. Täyttösappilo, kiertyy ulospäin vesisäiliön täyden helpottamiseksi.
- j. Liukukannen avaja.
- k. Suojalevy, takaa parhaan mahdollisen hygienian. Avautuu, kun jätessäiliö asetetaan käymälään ja sulkeutuu, kun jätessäiliö otetaan sieltä pois.
- l. Liukukansi / kumitiivist.
- m. Paineenvapautusnappi, estää roiskumisen tyhjentämisen aikana.
- n. Automaattinen ylipaineventtiili, poistaa ilman jätessäiliöstä kun se on asetettu Cassette-käymälään. Estää ylipaineen muodostumisen jätessäiliöön.
- o. Tartuntakahvat, helpottavat kantamista ja tyhjentämistä.
- p. Kahva.
- q. Kääntyvä tyhjennysputki, tekee jätessäiliön tyhjentämisestä helppoa ja hygieenistä.
- r. Jätessäiliön ja täyttösuppilon huoltoluukku, voidaan lukita ajoneuvon ulkopuolelta.

## JOHDANTO

Ostaessasi Thetfordin Cassette-käymälän ostat laatua. Funktionaalisen suunnittelun ansiosta käymälässä yhdistyy moderni muotoilu ja helppokäyttöisyys, ja se on helppo sijoittaa asuntovaunun tai matkailuauton kylpyhuoneeseen. Cassette-käymälä on valmistettu korkealuokkaisesta, kiiltävästä muovista. Se tekee Cassette-käymälästä kestävä, helppokäyttöisen ja vähän huoltoa tarvitsevan käymälän.

Käymälä koostuu kahdesta osasta: kiinteästi asennetusta käymälästä ja irrotettavasta jätessäiliöstä, jota pääsee käsittelemään ulkoa käsin. Irrotettava jätessäiliö sijaitsee käymälän alla ja se voidaan poistaa asuntovaunun tai matkailuauton ulkopuolella sijaitsevasta huoltoluukusta.

Thetford Cassette-käymälä on paras mahdollinen ratkaisu asuntovaunun ja matkailuauton saniteettiongelmiin!

## VALMISTELUT ENNEN KÄYTTÖNOTTOA

Kohdat 1–3 koskevat pelkästään Cassette-käymälän malleja C2 ja C4. Jos Sinulla on malli C3 (joka liitetään asuntovaunun tai matkailuauton keskusvesijärjestelmään), voit siirtyä kohtaan 4.

### C2 ja C4

1. Avaa asuntovaunun tai matkailuauton ulkopuolella sijaitseva huoltoluukku ja kierrä täyttösappilo ulos. Poista sen kansi.
  2. Kaada täyttösuppilon kautta suositeltu määrä Thetford-käymälänestettä vesisäiliöille. Se varmistaa paremman ja puhtaamman huuhtelun ja pitää vesisäiliön veden raikkaana. Täytä sen jälkeen vesisäiliö puhtaalla vesijohtovedellä.
  3. Kierrä täyttösuppilon kansi taas kiinni. Kierrä täyttösappilo nyt sisään huuhteluvesisäiliön kylkeä vasten.
- Huomautus:** Täyttösappiloon jää 150 ml vettä, kun vesisäiliö on tyhjä.

### C2, C3 ja C4

4. Irrota jätessäiliö painamalla puristinta alas.
  5. Vedä jätessäiliötä ulos pysäyttimeen asti. Kallista säiliötä vähän ja ota se kokonaan ulos.
  6. Aseta säiliö suoraan ja kierrä tyhjennysputki ylös.
  7. Kierrä irti tyhjennysputken kansi, joka on sisäpuolella annostelukorkki, ja mittaa sen avulla jätessäiliöön suositeltu määrä Thetfordin käymälänestettä. Se hajottaa jätteet nopeasti, estää epämiellyttävien hajujen syntyminen jätessäiliössä ja pitää sen sisäpuolen puhtaana. Lisää sitten noin 2 litraa vettä, jotta jätessäiliön pohja peittyi nesteellä. Kierrä sen jälkeen tyhjennysputken kansi taas kiinni. Kierrä tyhjennysputki takaisin alkuperäiseen asentoonsa.
- Huom: Tyhjennysputken kansi toimitetaan samassa pakkauksessa kuin tämä käyttöohje.
- Varoitus!** Älä koskaan lisää käymälänestettä liukukannen tai WC-pytyn kautta. Jätessäiliössä se sekoittuu heti veteen.
8. Työnnä jätessäiliö taas huoltoluukun kautta alkuperäiseen asentoonsa.
  9. Varmista, että jätessäiliö on lukittu paikoilleen puristimella. Sulje huoltoluukku ja pane se lukkoon.

## KÄYTTÖ

Kohta 10 koskee Cassette-käymälän malleja C2 ja C3. Jos Sinulla on malli C4, voit siirtyä kohtaan 11.

### C2 ja C3

10. Anna veden valua pyttyyn painamalla huuhtelunappia tai avaa liukukansi vetämällä WC-pytyn alla olevaa liukukannen kahvaa itseesi päin. Thetford-käymäläsi on nyt valmis käytettäväksi.

### C4

11. Anna veden valua pyttyyn kääntämällä huuhtelunappia oikealle tai avaa liukukansi vetämällä WC-pytyn alla olevaa liukukannen kahvaa itseesi päin. Thetford-käymäläsi on nyt valmis käytettäväksi.

## C2, C3 ja C4

12. Avaa liukukansi käytön jälkeen (mikäli se on vielä kiinni) kiertämällä liukukantta (C4) / huuhtelunappia (C2 ja C3) vasemmalle. Huuhtele käymälä kiertämällä huuhtelunappia oikealle (C4) tai painamalla huuhtelunappia (C2 ja C3). Sulje liukukansi käytön jälkeen.
- Huomaa!** Älä anna veden seisoa WC-pytyssä, kun käymälää ei käytetä. Se ei vähennä epämiellyttäviä hajuja vaan voi aiheuttaa tulvimista.

### C2 ja C3

13. WC-paperi pysyy puhtaana ja kuivana erityisesti sitä varten suunnitellussa lokerossa. Toimitukseen kuuluu myös erityinen seinälle kiinnitettävä WC-paperirullan pidin.
14. Kun haluat vaihtaa rullaa, toimi näin: Ota WC-paperirullan pidin lokerosta pitämällä kiinni sen kannesta. Pidä toisella kädellä kiinni pitimen pohjasta ja toisella kädellä sen kannesta. Kierrä niitä vastakkaisiin suuntiin, kunnes kuulet napsahduksen. Vedä osat irralleen. Pane uusi rulla paikoilleen. Pidä pidintä ja kantta molemmin käsin ja paina niitä toisiaan vasten. Kierrä niitä taas vastakkaisiin suuntiin, kunnes ne napsahtavat yhteen. Tukoksien estämiseksi suosittelemme WC-paperiksi nopeasti liukenevaa Aqua Soft -paperia.

## TYHJENNYS

Jätessäiliön tilavuus on 20 litraa. Säiliö on tyhjennettävä viimeistään silloin, kun pinnanosoitin on siirtynyt vihreästä kokonaan punaiseen. On suositeltavaa tyhjentää säiliö jo sitä ennen. Pinnanosoitin alkaa siirtyä vihreästä punaiseen vasta, kun ¾ säiliöstä on täyttynyt.

**Huomaa!** Älä päästä jätessäiliötä liian täyteen.

15. Varmista, että liukukansi on kiinni. Avaa ajoneuvon ulkopuolella sijaitseva huoltoluukku. Paina puristinta alas ja irrota jätessäiliö.
  16. Anna säiliö tartuntakahvoista tavalliseen käymälään tai hyväksytyyn tyhjennyspaikkaan. Aseta jätessäiliö pystyasentoon maahan ja kierrä tyhjennysputki ylös.
  17. Irrota tyhjennysputken kansi. Tartu jätessäiliöön siitä tartuntakahvasta, joka on lähimpänä tyhjennysputkea. Tartu toisella kädellä toiseen tartuntakahvaan, niin että voit ohjata paineenvapautusnappia peukalolla tyhjentämisen aikana. Paina paineenvapautusnappia säiliön tyhjentämisen ajan.
- Huomaa!** Paina paineenvapautusnappi sisään vasta sitten, kun tyhjennysputki osoittaa alas! Silloin säiliöstä ei roisku tyhjennyksen aikana. Huuhtele säiliö tyhjennyksen jälkeen huolellisesti vedellä. Puhdista myös liukukansi huolellisesti vedellä.
18. Tee tarvittaessa käyttöä edeltävät valmistelut. Työnnä jätessäiliö käymälään ja sulje huoltoluukku.

## VARASTOINTI

Jos et käytä Thetford-käymälää pitkään aikaan, on tärkeää, että suoritat seuraavat toimet.

Alla oleva koskee vain Cassette-käymälän mallia C3. Jos Sinulla on malli C2 tai C4, voit siirtyä kohtiin 19, 20 ja 21.

## C3

Jos Sinulla on Cassette-käymälä C3 ja sitä ei käytetä talvisin, noudata silloin ohjeita asuntovaunun tai matkailuauton saattamisesta talviolosuhteisiin. Käymälän tyhjentämistä Sinun pitää

avata Cassette-käymälän kelaaventiili painamalla huuhtelunappia. Paina nappia sisään (tai pane sen päälle jotain painoksi) vesijärjestelmän koko tyhjennyksen ajan.

## C2 ja C4

19. Tyhjennä vesisäiliö kokonaan vedenpoistoletkun kautta, joka toimii samalla vesisäiliön pinnanosoittimena. Irrota vedenpoistoletku/pinnanosoitin kiinnikkeestä ja purista siitä vedet pois ylänpistimen alapuolelta. Kierrä vedenpoistoletku huoltoluukun läpi ulos, niin että vesi pääsee valumaan pois.

## C4

20. Huuhto käymälä nyt pari kertaa käsin, niin että huuhtelumekanismi pumppautuu tyhjäksi.

## C2 ja C4

21. Kierrä täyttösuppilo ulos, jotta huuhtelujärjestelmä tyhjentyy vielä perusteellisemmin. Poista täyttösuppilon alapuolella oleva korkki, niin että loppu huuhteluvesi pääsee valumaan vesisäiliöstä. Käymälän huuhtelujärjestelmä on nyt aivan tyhjä.

## PUHDISTUS JA HUOLTO

Jätessäiliön tiivisteet, automaattisen ylipaineventtiilin tiivisteet ja kannen tiivistys pitää puhdistaa säännöllisin väliajoin. Toistuvassa käytössä riittää yleensä 1x kuukaudessa.

Suosittellemme tiivisteiden ja liukukannen puhdistukseen Thetfordin kylpyhuoneen puhdistusainetta.

**Huomaa!** Älä käytä koskaan kotitalouden puhdistusaineita (klooria, liuotinaaineita tai muita voimakkaita puhdistusaineita). Ne voivat vahingoittaa pysyvästi tiivisteitä ja käymälän muita osia.

- Ruiskuta käymälään Thetfordin kylpyhuoneen puhdistusainetta.

- Huuhtele pytty vedellä, pyyhi käymälän muut osat kostealla rievulla.

**Vihje!** Jos haluat, että käymäläsi kiiltää, kuivaa se puhdistuksen jälkeen pehmeällä, kuivalla rievulla.

- Kuivaa tiivisteet ja liukukansi hyvin ja käsittele ne kevyesti oliiviöljyllä ja pyyhi ne sen jälkeen rievulla tai WC-paperilla. Toista edellä mainitut toimet, jos tiiviste ja liukukansi ovat likaiset tai jos liukukannen avaaminen ja sulkeminen on raskaampaa.

**Huomaa!** Älä käytä koskaan vaseliinia tai muita kasviöljyjä paitsi oliiviöljyä. Ne voivat aiheuttaa vuotoja.

Jos käymälää ei käytetä pitkään aikaan, on järkevää puhdistaa tiivisteet ja käsitellä ne kevyesti oliiviöljyllä. Näin tiivisteet pysyvät hyvässä kunnossa (joustavina).

**Huom.** Liukukannen tiivistysrenkas altistuu kulumiselle. Huollon määrästä ja huoltotavasta riippuen tiivistysrenkaan toiminta heikkenee tietyn ajan kuluttua, jolloin se pitää vaihtaa.

## KÄYTTÖ TALVELLA

Thetford-käymälää voidaan käyttää tavalliseen tapaan kylmällä ilmalla, jos se on lämmitetyssä ympäristössä. Jos näin ei ole, on mahdollista että käymälä jäätyy. Siinä tapauksessa suosittellemme käymälän tyhjentämistä toimimalla kohdan "Varastoiminen" ohjeiden mukaisesti.

Pakkasnesteidien, kuten auton jäädyttimessä käytettävien pakkasnesteidien, käyttöä ei suositella ympäristölle koituvien haittojen vuoksi.

## THETFORDIN TAKUU

Thetford B.V. myöntää tuotteidensa loppukäyttäjille kahden vuoden takuun. Takuun voimassaoloaika Thetford vaihtaa tai korjaa viallisen tuotteen. Siinä tapauksessa viallisten osien vaihtaminen, siitä aiheutuneet palkkakulut ja/tai itse osien hinta tapahtuvat Thetfordin kustannuksella.

1. Jos tuotteen käyttäjä haluaa käyttää takuuta hyväkseen, hänen pitää viedä tuote Thetfordin valtuuttamaan huoltoliikkeeseen, jossa vaatimus arvioidaan.
2. Jos takuun johdosta tuotteen osia vaihdetaan tuotteen korjaamiseksi, niin kyseiset osat tulevat Thetfordin omistukseen.
3. Tämä takuu ei vaikuta voimassa olevaan kuluttajalainsäädäntöön.
4. Takuu ei koske tuotteita, joita käytetään tai on käytetty kaupallisiin tarkoituksiin.
5. Takuu raukeaa, jos jokin seuraavista ehtoista täyttyy:
  - tuotetta on käytetty arvostelukyvyttömästi tai käyttöohjeita ei ole noudatettu
  - tuotetta ei ole asennettu ohjeiden mukaisesti
  - tuotteeseen on tehty muutoksia
  - tuote on korjattu jossakin muualla kuin Thetfordin hyväksymässä huoltoliikkeessä
  - tuotteen sarjanumeroa tai koodia on muutettu
  - tuotteen vahingoittuminen on seurausta olosuhteista, jotka eivät liity itse tuotteen normaaliin käyttöön.

## ASIAKASPALVELU

Jos Sinulla on kysyttävää käymälästä tai haluat siitä lisää tietoa, voit vieraila [www.sivullamme](http://www.sivullamme) [www.thetford-europe.com](http://www.thetford-europe.com). Löydät sieltä muun muassa usein esitetyt kysymykset, ongelmat ja niiden ratkaisut, korjausohjeet, vihjeet ja luettelon Thetfordin jälleenmyyjistä lähimmällä paikkakunnalla. Jos Sinulla on siitä huolimatta vielä kysyttävää tai huomautettavaa, voit ottaa yhteyden asiakaspalveluosastoomme omassa maassasi (katso osoitteita tämän käyttöohjeen lopussa).

## VASTUU

Thetford ei ole vastuussa menetyksistä ja/tai vahingoista, jotka aiheutuvat suoraan tai epäsuorasti käymälän käytöstä.

## SLO Navodila za uporabo

Ta navodila za uporabo veljajo za modele stranišč Thetford C2, C3 in C4. Ti modeli se glede na uporabo nekoliko razlikujejo, zato pazite, da boste sledili navodilom, ki se nanašajo na vaš model.

Sestavni deli in delovanje so označeni s črkami in prikazani v zgbanki, ki se nahaja na hrbtni strani navodil za uporabo.

Napotki za uporabo so označeni z zaporednimi številkami in opisani v zgbanki, na začetku teh navodil za uporabo.

## SESTAVNI DELI IN DELOVANJE MODELA C2

- a. Gumb za splakovanje in zaporo ventila: odpira in zapira zaporo ventila ter z električno črpalko črpa vodo v školjko.
- b. Razstavljen sedež in pokrov.
- c. Predalček za toaletni papir: v njem papir ostane suh in čist.
- d. Držalo za toaletni papir.
- e. Kazalec količine fekalij v posodi: nakaže, kdaj je posoda polna.
- f. Žlebiček za vodo: ko odstranimo kotliček, žlebiček ulovi kapljice vode iz kotlička.
- g. Prostor za shranjevanje kemikalij in čistil (samo pri visokem modelu).
- h. Varnostna zaponka: drži posodo za fekalije na njenem mestu.
- i. Cev za črpanje vode iz kotlička: pokaže tudi stopnjo onesnaženosti vode v kotličku.
- j. Lijak za polnjenje kotlička z vodo: obrnemo ga navzven in tako lažje napolnimo kotliček.
- k. Pokrov, ki zagotavlja optimalno higieno: odpre se, ko posodo za fekalije vstavimo v stranišče ter zapre, ko posodo odstranimo.
- l. Odpiralec zapore ventila.
- m. Zapora ventila.
- n. Zračnik, ki preprečuje pljuskanje vsebine med praznjenjem posode za fekalije.
- o. Gornji ročaj: omogoča lažje prenašanje in praznjenje.
- p. Avtomatični zračnik za izenačevanje pritiska: skrbi za zračenje posode za fekalije, ko je le ta vstavljena v stranišče ter zmanjšuje pritisk v posodi.
- q. Ročaj.
- r. Vrtljiv tulec za praznjenje: tulec omogoča lažje in bolj higienco praznjenje posode za fekalije.
- s. Loputa: omogoča dostop do posode za fekalije ter lijaka za polnjenje kotlička in jo je mogoče zakleniti z zunanje strani vozila.

## SESTAVNI DELI IN DELOVANJE MODELA C3

- a. Gumb za splakovanje in zaporo ventila: odpira zaporo ventila ter upravlja električno črpalko vašega vozila.
- b. Razstavljen sedež in pokrov.
- c. Predalček za toaletni papir: v njem papir ostane suh in čist.
- d. Držalo za toaletni papir.
- e. Kazalec količine fekalij v posodi: nakaže, kdaj je posoda polna.
- f. Žlebiček za vodo: ko odstranimo kotliček, žlebiček ulovi kapljice vode iz kotlička.
- g. Prostor za shranjevanje kemikalij in čistil (samo pri visokem modelu).
- h. Varnostna zaponka: drži posodo za fekalije na njenem mestu.
- i. Odpiralec zapore ventila.

- j. Pokrov, ki zagotavlja optimalno higieno: odpre se, ko posodo za fekalije vstavimo v stranišče ter zapre, ko posodo odstranimo.
- k. Zapora ventila.
- l. Zračnik, ki preprečuje pljuskanje vsebine med praznjenjem posode za fekalije.
- m. Avtomatični zračnik za izenačevanje pritiska: skrbi za zračenje posode za fekalije, ko je le ta vstavljena v stranišče ter zmanjšuje pritisk v posodi.
- n. Gornji ročaj: omogoča lažje prenašanje in praznjenje.
- o. Ročaj.
- p. Vrtljiv tulec za praznjenje: tulec omogoča lažje in bolj higiensko praznjenje posode za fekalije.
- q. Loputa: omogoča dostop do posode za fekalije ter lijaka za polnjenje kotlička in jo je mogoče zakleniti z zunanje strani vozila.

## SESTAVNI DELI IN DELOVANJE MODELA C4

- a. Ročka za odpiranje in zapiranje zapore ventila.
- b. Razstavljiv sedež in pokrov.
- c. Gumb za splakovanje.
- d. Kazalec količine fekalij v posodi: nakaže, kdaj je posoda polna.
- e. Varnostna zaponka: drži posodo za fekalije na njenem mestu.
- f. Prostor za shranjevanje kemikalij in čistil (samo pri visokem modelu).
- g. Cev za črpanje vode iz kotlička.
- h. Cev za črpanje vode: pokaže tudi stopnjo onesnaženosti vode v kotličku.
- i. Lijak za polnjenje kotlička z vodo: obrnemo ga navzven in tako lažje napolnimo kotliček.
- j. Odpiralec zapore ventila.
- k. Pokrov, ki zagotavlja optimalno higieno: odpre se, ko posodo za fekalije vstavimo v stranišče ter zapre, ko posodo odstranimo.
- l. Zapora ventila.
- m. Zračnik, ki preprečuje pljuskanje vsebine med praznjenjem posode za fekalije.
- n. Avtomatični zračnik za izenačevanje pritiska: skrbi za zračenje posode za fekalije, ko je le ta vstavljena v stranišče ter zmanjšuje pritisk v posodi.
- o. Gornji ročaj: omogoča lažje prenašanje in praznjenje.
- p. Ročaj.
- q. Vrtljiv tulec za praznjenje: tulec omogoča lažje in bolj higiensko praznjenje posode za fekalije.
- r. Loputa: omogoča dostop do posode za fekalije ter lijaka za polnjenje kotlička in jo je mogoče zakleniti z zunanje strani vozila.

## UVOD

Prenosno stranišče Thetford je visoko kakovosten in funkcionalno zasnovan izdelek, ki ga odlikujeta preprosta uporaba in moderen dizajn. Stranišče bo brez težav postalo sestavni del vaše kopalnice v počitniški prikolici oz. avtodomu. Prenosno stranišče je izdelano iz visoko kakovostnih sintetičnih materialov in prekrito z lazuro, ki nudi visok sijaj. Zaradi vseh teh lastnosti je stranišče trpežno in preprosto za vzdrževanje.

Stranišče je sestavljeno iz dveh delov: trajno fiksirana straniščna školjka in posoda za fekalije, ki je dostopna od zunaj. Posoda za fekalije je odstranljiva in se nahaja pod školjko, odstranite jo lahko skozi loputo na zunanji strani počitniške prikolice oz. avtodoma.

Thetfordovo prenosno stranišče je idealna rešitev sanitarnega problema v vaši prikolici oz. avtodomu!

## PRIPRAVA ZA UPORABO

Točke od 1 do 3 se nanašajo le na modela C2 in C4. Če uporabljate model C3 (povezan z osrednjim vodovodnim sistemom v vaši počitniški prikolici oz. avtodomu) začnite pri točki 4.

### C2 in C4

1. Odprite loputo na zunanji strani vaše prikolice in obrnite lijak za polnjenje kotlička navzven. Odvijte pokrovček.
2. Skozi lijak vlijte odmerjeno količino Thetford kemikalije za kotliček. Kemikalija omogoča boljše in čistejše splakovanje, voda v kotličku pa ostane dalj časa sveža. Kotliček nato napolnite s čisto vodo.
3. Privijte zamašek nazaj na lijak. Obrnite lijak nazaj navznoter, ob stran kotlička.  
**Opozorilo:** Ko je kotliček prazen, v likaju še vedno ostane 150 ml vode.

### C2 C3 in C4

4. Potegnite varnostno zaponko navzdol in odstranite posodo za fekalije
5. Posodo povlecite ven kolikor lahko, ko se zaustavi, jo rahlo nagnite in nato potegnite ven do konca.
6. Posodo za fekalije postavite v pokončen položaj in obrnite tulec za izlivanje navzgor.
7. S tulca odstranite pokrovček, ki naj vam služi kot merilna posodica. Odmerjeno količino Thetford kemikalije vlijte v posodo za fekalije. Kemikalija hitro odstrani fekalije, preprečuje neprijetne vonjave in ohranja notranjost posode čisto. Nato dodajte približno 2L vode oz. toliko, da je dno posode pokrito s tekočino. Privijte merilni pokrovček nazaj na tulec in postavite tulec nazaj v prvotni položaj.  
**POMEMBNO:** Pokrovček tulca za izlivanje je priložen tem navodilom za uporabo.  
**Opozorilo!** Kemikalije nikoli ne vlivajte skozi ventil ali skozi straniščno školjko. Kemikalija se takoj zmeša z vodo in ugnezdi v posodi, kar prepreči neprijetne vonjave v kopalnici.
8. Skozi loputo potisnite posodo za fekalije nazaj v prvotni položaj.  
**Opozorilo!** Nikoli ne uporabite sile, če imate težave pri vstavljanju posode nazaj na njeno mesto. S tem lahko povzročite veliko škode.
9. Prepričajte se, da je posoda za fekalije pritrjena z varnostno zaponko. Zaprite loputo in jo zaklenite.

## UPORABA

Točka 10 se nanaša na modela C2 in C3. Če uporabljate model C4, začnite pri točki 11.

### C2 in C3

10. Spustite nekaj vode v školjko. To lahko naredite tako, da pritisnete na gumb za splakovanje ali pa potisnete ročko ventila pod straniščno školjko proti sebi in tako odprete zaporo ventila. Vaše Thetford stranišče je zdaj pripravljeno za uporabo.

### C4

11. Spustite nekaj vode v školjko. To lahko naredite tako, da zavrtite gumb za splakovanje na desno ali pa potisnete ročko ventila pod straniščno školjko proti sebi in tako odprete zaporo ventila. Vaše Thetford stranišče je zdaj pripravljeno za uporabo.

## C2 C3 in C4

12. Po uporabi odprite zaporo ventila (če je ta še vedno zaprta), tako da zavrtite zaporo ventila (C4) / gumb za splakovanje (C2 in C3) na levo. Stranišče splaknete, tako da zavrtite gumb za splakovanje na desno (C4) ali pritisnete na gumb za splakovanje (C2 in C3). Ko je stranišče splaknjeno, zaprite zaporo ventila.

**Opozorilo!** Ne puščajte vode v školjki, ko stranišče ni v uporabi. To onemogoča preprečevanje neprijetnih vonjav in lahko privede do razlitja vode.

### C2 in C3

13. Toaletni papir bo ostal čist in suh, če ga boste hranili v predalčku, ki je bil zasnovan posebej v te namene. S pomočjo priloženega držala pa lahko role toaletnega papirja pritrdite tudi na steno.
14. Vstavljanje nove role: Vzemite držalo iz predalčka in ga primite za pokrov. Z eno roko primite držalo za spodnji del, z drugo pa za pokrov. Zasukajte roki v nasprotno smer, dokler ne slišite klika. Potegnite oba dela narazen. Vstavite novo rolo papirja. Primite vsak del zopet v svojo roko in ju stisnite skupaj. Zasukajte roki v nasprotno smer in počakajte na klik. Da bi se izognili morebitnim težavam z zamaševanjem, vam svetujemo uporabo Aqua Soft toaletnega papirja, ki se hitro razgradi.

## PRAZNIENJE

Prostornina posode za fekalije znaša 20L; izprazniti jo je potrebno najkasneje takrat, ko se kazalec količine fekalij pomakne iz zelene na rdečo. Posodo je priporočljivo izprazniti že prej. Kazalec se začne premikati proti rdeči, ko je polne L posode.

**Opozorilo!** Ne dovolite, da se posoda za fekalije prenapolni.

15. Prepričajte se, da je zapora ventila zaprta. Odprite loputo na zunanji strani vozila. Potisnite varnostno zaponko navzdol in odstranite posodo za fekalije.
16. Posodo primite za ročaje in jo nesite do ustreznega toaletnega prostora ali uradnega odlagališča fekalij. Posodo postavite pokončno na tla in obrnite tulec za praznjenje navzgor.
17. S tulca odstranite pokrovček. Z eno roko primite posodo za gornji ročaj, čim bližje tulcu za praznjenje, z drugo pa primite za drugi ročaj na zadnji strani, tako da boste s palcem lahko pritiskali na gumb zračnika. Med praznjenjem posode naj bo gumb zračnika ves čas pritisnjen.  
**Opozorilo!** Na gumb zračnika pritisčajte le, kadar je tulec obrnjen navzdol!  
Na ta način lahko posodo izpraznite brez pljuskanja. Ko ste posodo spraznili, jo temeljito operite z vodo. Zaporo ventila prav tako očistite z vodo.
18. Če je potrebno, ponovno pripravite stranišče za uporabo. Potisnite posodo za fekalije nazaj v stranišče in zaprite loputo.

## SHRANJEVANJE

Če Thetfordovega prenosnega stranišča ne nameravate uporabljati dalj časa, je pomembno, da pazljivo sledite navodilom spodaj.

Sledeče besedilo se nanaša le na model C3. Če uporabljate model C2 ali C4, sledite navodilom pod točkama 19 20 in 21.

## C3

Če imate prenosno stranišče model C3 in ga ne nameravate uporabljati pozimi, sledite navodilom za pripravo stranišča na zimo. Preden izčrpite vso vodo iz sistema, s pritiskom na gumb za splakovanje odprite magnetni ventil. Med črpanjem vode iz sistema naj bo gumb ves čas pritisnjen (nanj lahko položite kak težak predmet).

## C2 in C4

19. Skozi cev za črpanje izčrpite vso vodo iz kotlička. Cev vam pokaže tudi stopnjo onesnaženosti vode v kotličku. Odstranite cev za črpanje in jo potisnite od zgornje odprtine navzdol. Cev speljite skozi loputo na prosto, da bo voda lahko stekla ven.

## C4

20. Nekajkrat splaknite stranišče, da se izčrpa vsa voda iz mehanizma.

## C2 in C4

21. Obrnite lijak za polnjenje kotlička navzven, da se splakovalni sistem popolnoma izprazni. Odstranite pokrovček lijaka, da bo lahko iz kotlička stekla preostala voda. Sistem za splakovanje se bo tako popolnoma izpraznil.

## ČIŠČENJE IN VZDRŽEVANJE

Tesnila posode za fekalije, avtomatičnega zračnika za izenačevanje pritiska in pokrovčka je potrebno redno čistiti. Ko je stranišče pogosto v uporabi, priporočamo čiščenje enkrat na mesec.

Za čiščenje tesnil in zapore ventila priporočamo čistilno sredstvo Thetford Bathroom Cleaner.

**Opozorilo!** Ne uporabljajte koncentratov in grobih čistil (belil, raztopil ali drugih močnih čistilnih sredstev), ker lahko poškodujejo tesnila in druge dele stranišča.

- Poškropite stranišče s čistilom Thetford.
- Školjko splaknite z vodo in stranišče obrišite z vlažno krpo.
- **Nasvet!** Če želite zares sijoče stranišče, ga po čiščenju obrišite z mehko suho krpo.
- Temeljito očistite tesnila in zaporo ventila, premažite jih z olivnim oljem in jih obrišite s krpo ali toaletnim papirjem. Če sta tesnilo in zapora umazana ali če zapiranje in odpiranje zapore postaja vedno težje, ponovite zgoraj opisano čiščenje.
- **Opozorilo!** Nikoli ne uporabljajte vazelina ali drugih olj, primerno je le olivno olje. Ostala lahko povzročijo uhajanje vode.

Če stranišča ne boste uporabljali dalj časa, priporočamo, da očistite tesnila in jih rahlo premažete z olivnim oljem. Tako bodo ostala v dobrem stanju (prožna).

**POMEMBNO:** Tesnilo zapore ventila se lahko obrabi. Po določenem času lahko tesnilo, odvisno od vzdrževanja, postane manj učinkovito in ga je potrebno zamenjati.

## UPORABA POZIMI

Stranišče Thetford lahko uporabljate v hladnem vremenu, če se nahaja v ogrevanih prostorih. V nasprotnem primeru lahko zamrzne. V tem primeru vam svetujemo, da stranišče izpraznite po navodilih, opisanih pod 'Shranjevanje'.

Zaradi okoljevarstvenih razlogov odsvetujemo uporabo sredstev proti zamrzovanju, kot npr. sredstva, ki jih uporabljamo za hladilnik avtomobila.

## GARANCIJA ZA PROIZVODE THETFORD

Thetford B.V. zagotavlja končnim porabnikom 2-letni garancijski rok. V primeru okvare znotraj tega obdobja bo Thetford proizvod zamenjal oz. popravil. Stroške zamenjave, dela, vložene v zamenjavo okvarjenega dela in/ali stroške delov samih bo v tem primeru kriil Thetford.

1. Za popravilo v garanciji mora uporabnik proizvod predložiti pooblaščenemu servisnemu centru podjetja Thetford, kjer bodo ocenili škodo.
2. V primeru zamenjave delov med popravilom v garanciji, ti deli postanejo last podjetja Thetford.
3. Ta garancija je v skladu s trenutnim zakonom o varstvu potrošnikov.
4. Garancija ne velja, če se proizvode uporablja v trgovske namene.
5. Zahteva po popravilu v garanciji ne bo odobrena v naslednjih primerih:
  - Nepravilna uporaba proizvoda ali neupoštevanje navodil za uporabo
  - Proizvod ni bil nameščen v skladu z navodili
  - Proizvod je spremenjen
  - Okvara proizvoda je bila popravljena v nepooblaščenem servisnem centru
  - Spremenjena je bila serijska številka oz. proizvodna koda
  - Proizvod je bil poškodovan v okoliščinah, ki ne ustrezajo njegovi običajni uporabi

## SERVISNI CENTER

Za nadaljnje informacije ali vprašanja o vašem stranišču prosim obiščite našo spletno stran

**www.thetford-europe.com.** Tam boste našli odgovore na pogosto zastavljena vprašanja, težave in rešitve, navodila za popravilo, nasvete in seznam vam najbližjih prodajnih zastopnikov Thetford. Če boste kljub temu imeli še kakšno vprašanje, se obrnite na Servisni center v vaši državi (naslove najdete na zadnji strani priročnika).

## ODGOVORNOST

Thetford ne odgovarja za izgubo in/ali poškodbo, ki jo je posredno ali neposredno povzročila uporaba stranišča.







<p>Flush water tank contents          Contenu du réservoir de chasse          Volym spoltank          Contenido del depósito de agua de lavado          Indhold skyllevandstank          Inhalt Frischwassertank          Inhoud spoelwatertank          Volume del serbatoio dell'acqua pulita          Capacidade da caixa de descarga de água          Innhold ferskvannstanken          HUUhteluvesisäiliön sisältö          Vsebina kotlička</p>	<p>Waste tank contents          Contenu du réservoir à matières          Volym avfallstank          Contenido del depósito de residuos          Indhold opsamlingstank          Inhalt Abwassertank          Inhoud afvaltank          Volume del serbatoio di scarico          Capacidade do depósito de dejectos          Innhold avfallstanken          Jätesäiliön sisältö          Vsebina posode za fekalije</p>
<b>15 L</b>	<b>20 L</b>

**Thetford B.V.**  
 Nijverheidsweg 29  
 P.O. Box 169  
 4870 AD Etten-Leur  
 Nederland  
 Tel.: +31 (0)76-5042200  
 Fax: +31 (0)76-5042300

**Thetford Ltd.**  
 Unit 6,  
 Centrovell Ind. Estate  
 Caldwell Road  
 Nuneaton, Warwickshire  
 CV11 4UD, England  
 Tel.: +44 (0)2476-322700  
 Fax: +44 (0)2476-322705

**Thetford B.V.**  
 Representative Office  
 Scandinavia  
 Brodalsvägen 7  
 S-433 38 Partille  
 Sverige  
 Tel.: +46 (0)31-3363580  
 Fax: +46 (0)31-448570

**Thetford GmbH**  
 Schallbruch 14  
 D-42781 Haan  
 Deutschland  
 Tel.: +49 (0)2129-94250  
 Fax: +49 (0)2129-942525

**Gianni Minzoni**  
 Agente per l'Italia  
 Via Cardio, 10  
 47899 Galazzano  
 Rep. San Marino  
 Tel.: +39(0)549 - 941374  
 Fax: +39(0)549 - 974889

**Thetford S.A.R.L.**  
 Boîte Postale 204  
 95614 Cergy Pontoise  
 Cedex  
 France  
 Tél.: +33 (0)1 30375823  
 Fax: +33 (0)1 30379767

**Thetford Corp.**  
 7101 Jackson Road  
 Ann Arbor  
 Michigan 48103  
 U.S.A.  
 Tel.: +1(734)769-6000  
 Fax: +1(734)769-2023

**Pere J. Grau-Fornos**  
 Agente Para España Y  
 Portugal  
 C/Parlament 19, 1 er  
 08800 Vilanova I la Geltru  
 Barcelona  
 España  
 Tel.: +34(9)3815-4389  
 Fax: +34(9)3815-6106

**www.thetford-europe.com**

www.vwT4camper.info - a useful website for owners and enthusiasts of VW T4 Transporter Campervans